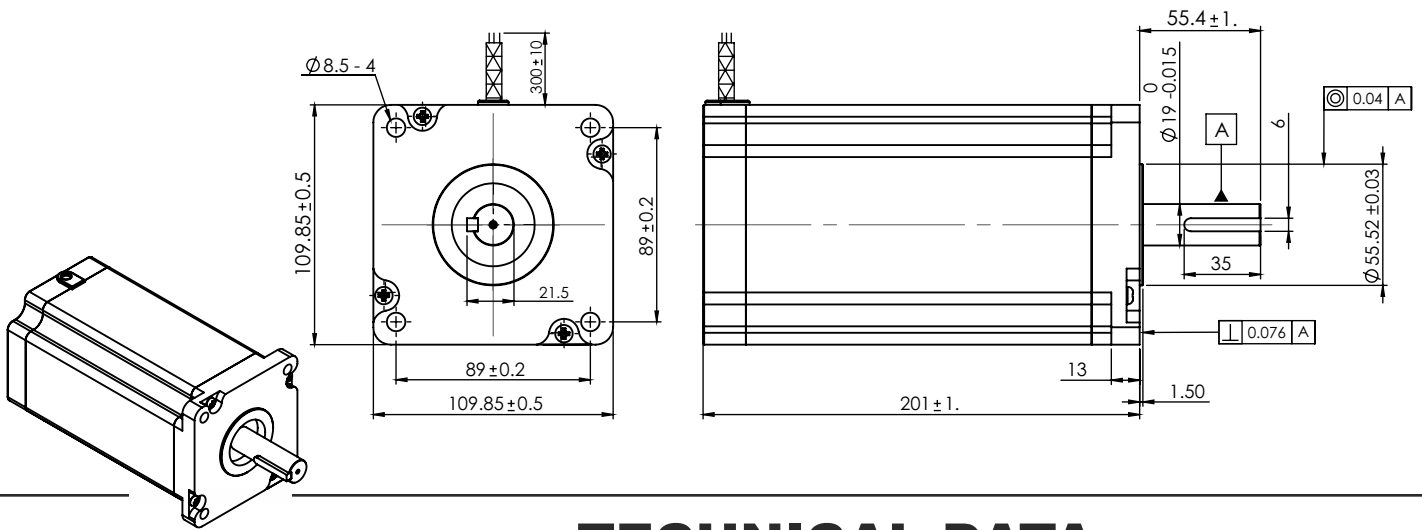
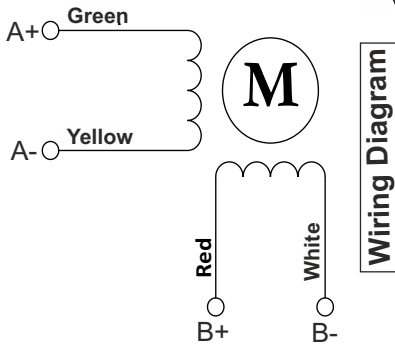


SPECIFICATION SHEET
Bholanath

STEPPER MOTOR
BH 110 SH 201 - 8004 AK
HIGH TORQUE HYBRID



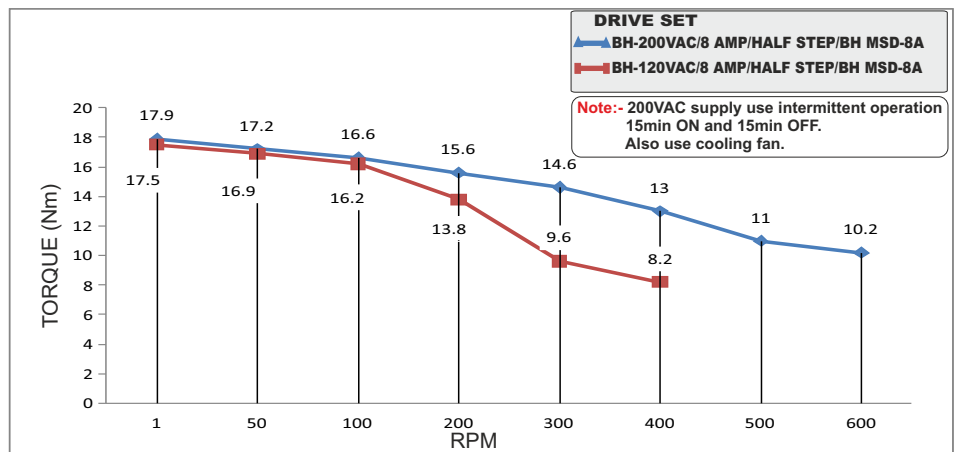
TECHNICAL DATA



SPECIFICATION		BH 110 SH 201 - 8004 AK	
	MODEL	Bipolar	
1	Rated Voltage	V	5.84
2	Current / Phase	A	8
3	Resistance / Phase	$\pm 10\% \Omega$	0.73
4	Inductance / Phase	$\pm 20\% \text{mH}$	14.01
5	Holding Torque	Nm	30
6	Rotor Inertia	G-CM ²	16200
7	Weight	KG.	11.7
8	No of Lead	N ⁰	4
9	Operating Voltage	VAC	60 - 130
10	Operating Voltage	VDC	84-182

CHARACTERISTICS

Step Angle - 1.8 ⁰
Step Angle Accuracy - $\pm 5\%$
Insulation Class - H
Ambient Temperature - -20 ⁰ C + 50 ⁰ C
Temperature Rise - 80 ⁰ C Max. (Rated Current Phase 2 ON)
Insulation Resistance 100 M Ohms Min.500 VDC
Dielectric Strength 1800 VAC For One Minute
Shaft Radial Play 0.02 Max. Play (450 G Load)
Shaft Axial Play 0.08 Max. Play (450 G Load)
Max.Radial Force 220 N (20MM From Front Flange)
Max.Axial Force 60 N



STEPPER MOTOR - BH 110 SH 201 - 8004 AK



Bholanath Precision Engineering Pvt.Ltd.

11,Kembros Ind.Estate , Sonapur Lane , Bhandup (W),Mumbai - 400078.
 Telefax/Phone : 25662856/25664338/67993260 Email : support@bholanath.in
 Mobile No : 9920903825/9821671733/9930514603/9819515543/9323166582.