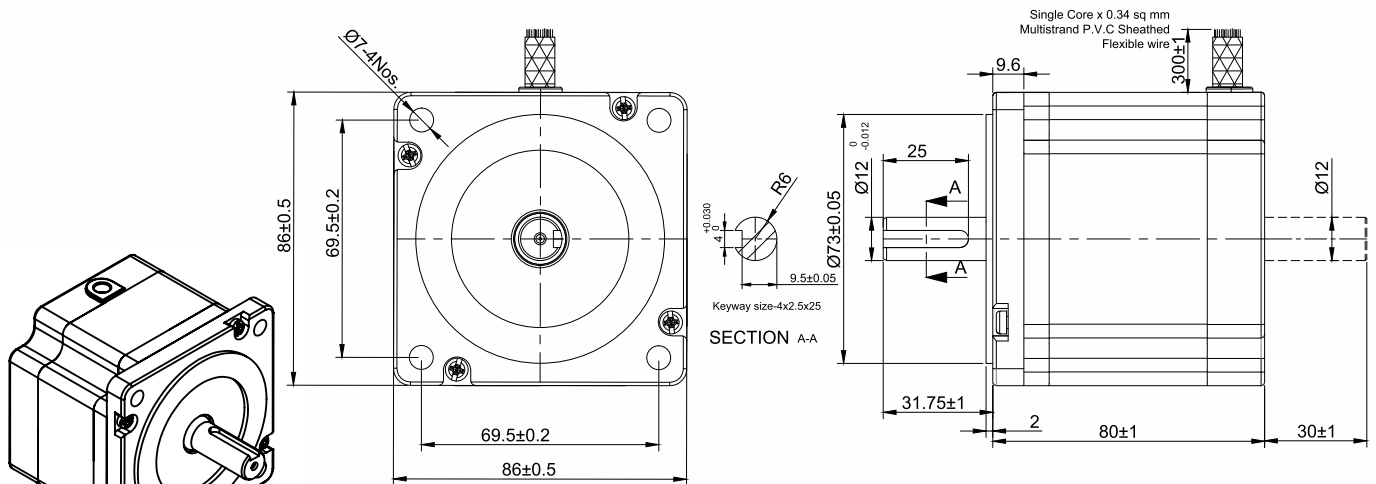
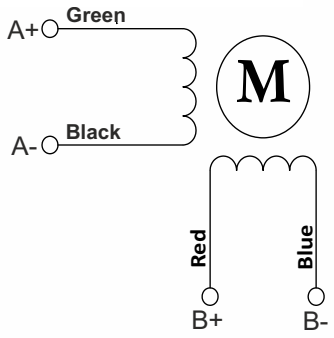


**SPECIFICATION SHEET**  
**Bholanath**

**STEPPER MOTOR**  
**BH86 SH 80 - 4104AKS**  
**HIGH TORQUE HYBRID**



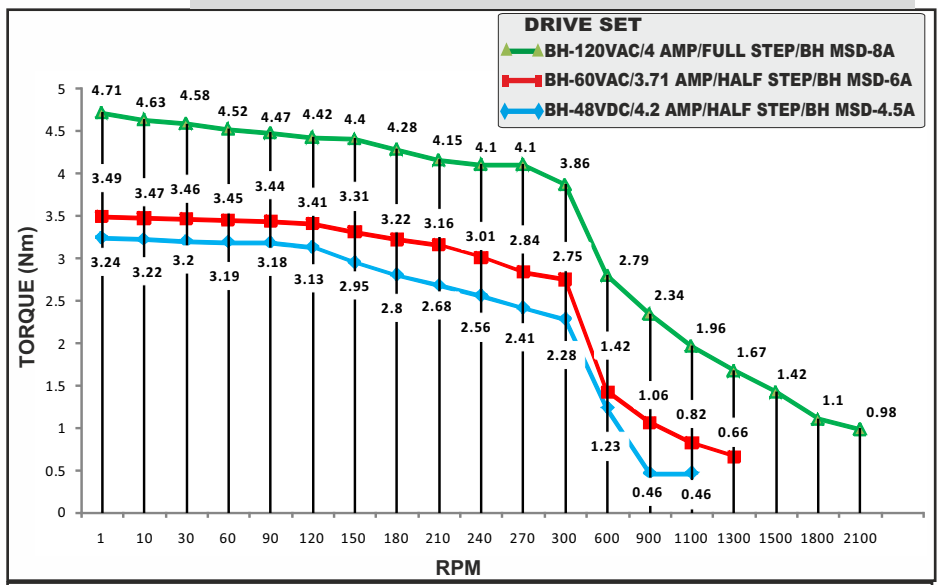
**TECHNICAL DATA**



Wiring Diagram

SPECIFICATION		BH86SH80 - 4104 AKS	
	MODEL		Bipolar
1	Rated Voltage	V	3.07
2	Current / Phase	A	4.1
3	Resistance / Phase	± 10% Ω	0.75
4	Inductance / Phase	± 20% mH	6.0
5	Holding Torque	Nm	5.09
6	Rotor Inertia	G-CM <sup>2</sup>	1400
7	Weight	KG.	2.5
8	No of Lead	N <sup>o</sup>	4
9	Operating Voltage	VDC	48 - 170
10	Operating Voltage	VAC	34 - 120

CHARACTERISTICS
Step Angle - 1.8°
Step Angle Accuracy - ± 3 Arc Minute
Insulation Class - H
Ambient Temperature - -20°C + 50°C
Temperature Rise - 80°C Max. ( Rated Current Phase 2 ON )
Insulation Resistance 100 M Ohms Min.500 VDC
Dielectric Strength 820 VAC For One Minute
Shaft Radial Play 0.02 Max. Play ( 450 G Load )
Shaft Axial Play 0.08 Max. Play ( 450 G Load )
Max.Radial Force 220 N ( 20MM From Front Flange )
Max.Axial Force 60 N



STEPPER MOTOR - BH86SH80-4104AKS