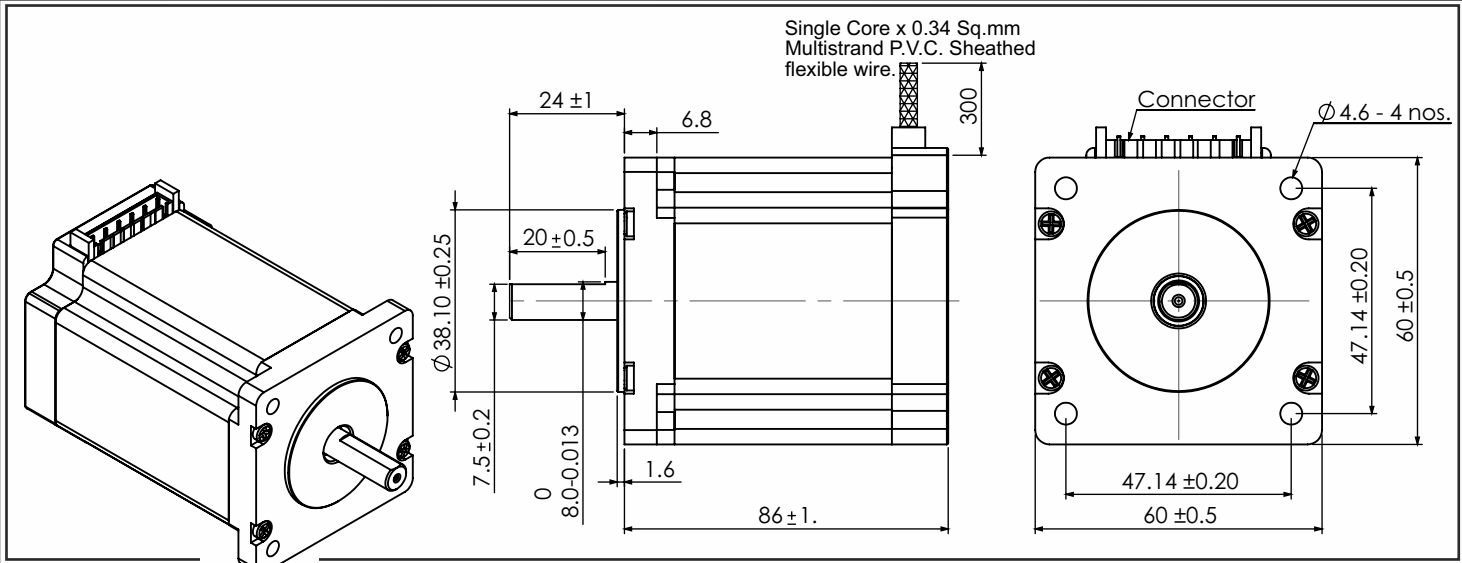


SPECIFICATION SHEET
Bholanath

STEPPER MOTOR
BH60 SH 86 - 2804AF
HIGH TORQUE HYBRID



TECHNICAL DATA

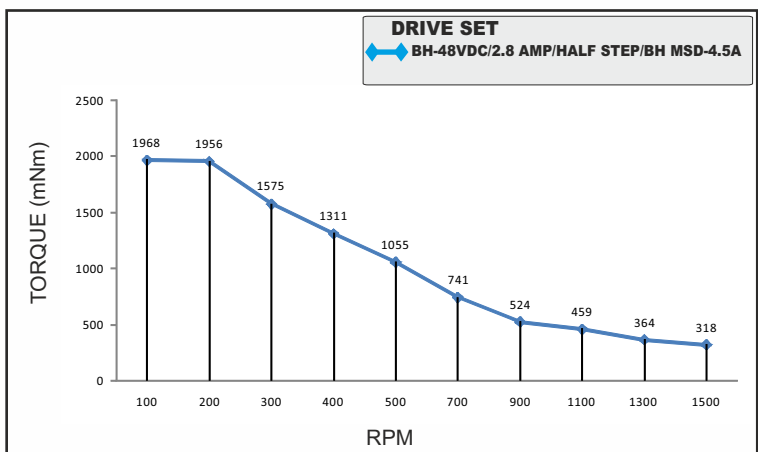
CHARACTERISTICS

| |
|--|
| Step Angle - 1.8° |
| Step Angle Accuracy - ± 3 Arc Minute |
| Insulation Class - H |
| Ambient Temperature - - 20°C + 50°C |
| Temperature Rise - 80°C Max. (Rated Current Phase 2 ON) |
| Insulation Resistance 100 M Ohms Min.500 VDC |
| Dielectric Strength 500 VAC For One Minute |
| Shaft Radial Play 0.02 Max. Play (450 G Load) |
| Shaft Axial Play 0.08 Max. Play (450 G Load) |
| Max.Radial Force 75 N (20MM From Front Flange) |
| Max.Axial Force 15 N |

SPECIFICATION

BH60SH86 - 2804 AF

| | MODEL | | Bipolar |
|---|--------------------|-------------------|---------|
| 1 | Rated Voltage | V | 4.48 |
| 2 | Current / Phase | A | 2.8 |
| 3 | Resistance / Phase | ± 10% Ω | 1.6 |
| 4 | Inductance / Phase | ± 20% mH | 6.5 |
| 5 | Holding Torque | Nm | 3.1 |
| 6 | Rotor Inertia | G-CM ² | 840 |
| 7 | Weight | KG. | 1.4 |
| 8 | No of Lead | N ⁰ | 4 |
| 9 | Operating Voltage | VDC | 24 - 48 |



STEPPER MOTOR - BH60SH86-2804AF



Bholanath Precision Engineering Pvt.Ltd.

11,Kembros Ind.Estate , Sonapur Lane , Bhandup (W),Mumbai - 400078.

Telefax/Phone : 25662856/25664338/67993260 Email : support@bholanath.in

Mobile No : 9920903825/9821671733/9930514603/9819515543/9323166582.