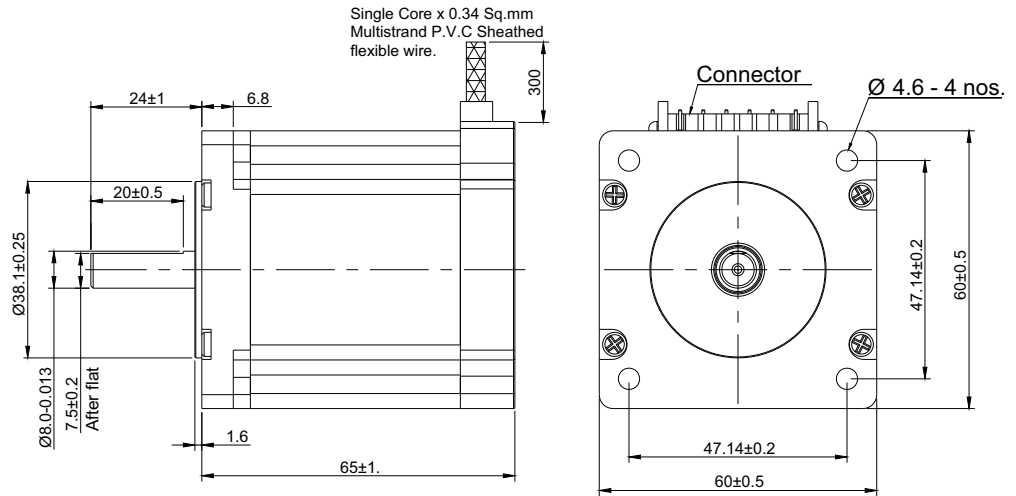
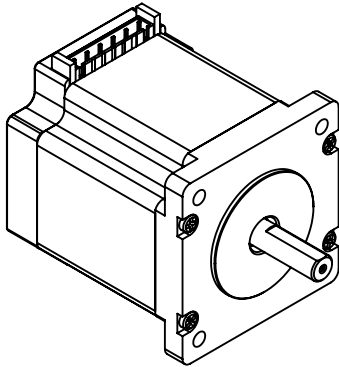


SPECIFICATION SHEET
Bholanath

STEPPER MOTOR
BH 60 SH 65 - 2804 AF
HIGH TORQUE HYBRID



AMENDMENT
In Drawing
Removed the dimension Ø6.5mm
Edited 7.5±0.2 To 7.5±0.2 After Flat.
Edited 8.0-0.013 To Ø8.0-0.013.

TECHNICAL DATA

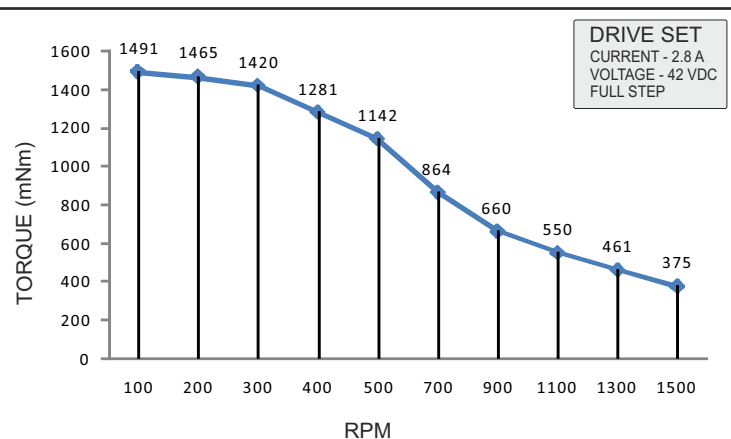
CHARACTERISTICS

Step Angle - 1.8°
Step Angle Accuracy - ± 5%
Insulation Class - H
Ambient Temperature - - 20°C + 50°C
Temperature Rise - 80°C Max. (Rated Current Phase 2 ON)
Insulation Resistance 100 M Ohms Min.500 VDC
Dielectric Strength 500 VAC For One Minute
Shaft Radial Play 0.02 Max. Play (450 G Load)
Shaft Axial Play 0.08 Max. Play (450 G Load)
Max.Radial Force 75 N (20MM From Front Flange)
Max.Axial Force 15 N

SPECIFICATION

BH60SH65 - 2804 AF

	MODEL	Bipolar	
1	Rated Voltage	V	3.36
2	Current / Phase	A	2.8
3	Resistance / Phase	± 10% Ω	1.2
4	Inductance / Phase	± 20% mH	4.2
5	Holding Torque	Nm	2.1
6	Rotor Inertia	G-CM ²	570
7	Weight	KG.	1.2
8	No of Lead	N ⁰	4
9	Operating Voltage	VDC	24 - 42



MOTOR MODEL - BH60SH65-2804AF

Revision-01,Dated:- 30/11/2016



Bholanath Precision Engineering Pvt.Ltd.

11,Kembros Ind.Estate , Sonapur Lane , Bhandup (W),Mumbai - 400078.

Telefax/Phone : 25662856/25664338/67993260 Email : support@bholanath.in

Mobile No : 9920903825/9821671733/9930514603/9819515543/9323166582.