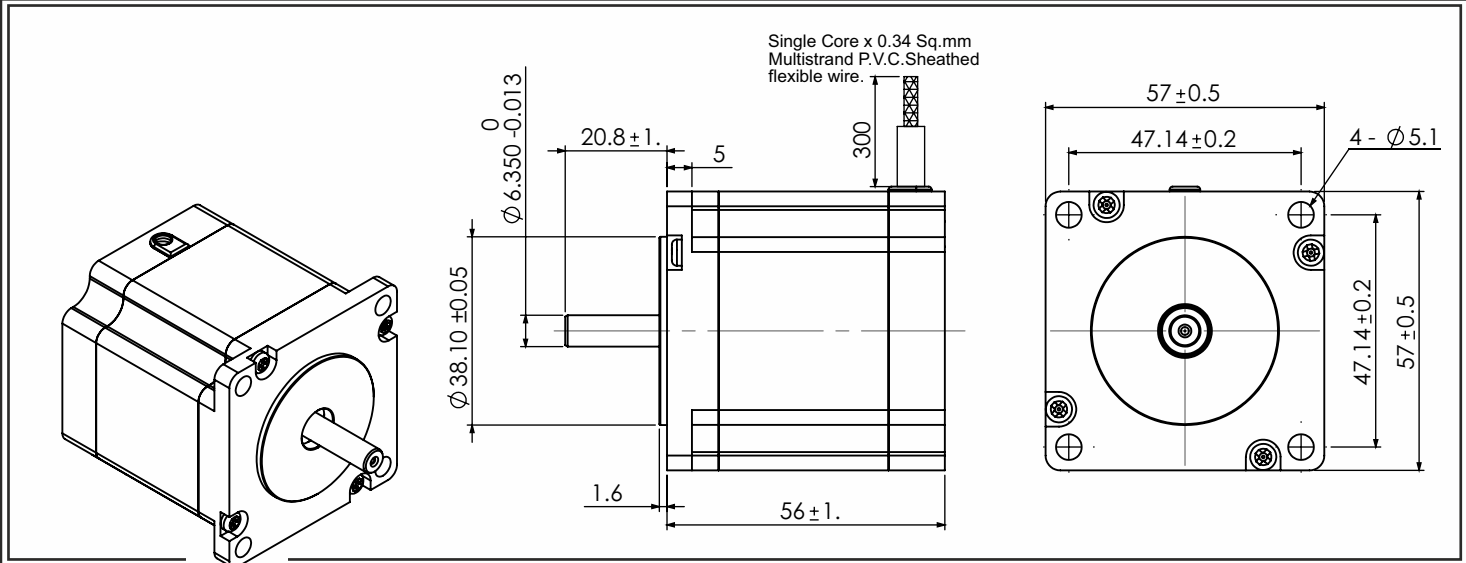


SPECIFICATION SHEET
Bholanath

STEPPER MOTOR
BH 57 SH 56-2004 A
HIGH TORQUE HYBRID



TECHNICAL DATA

CHARACTERISTICS

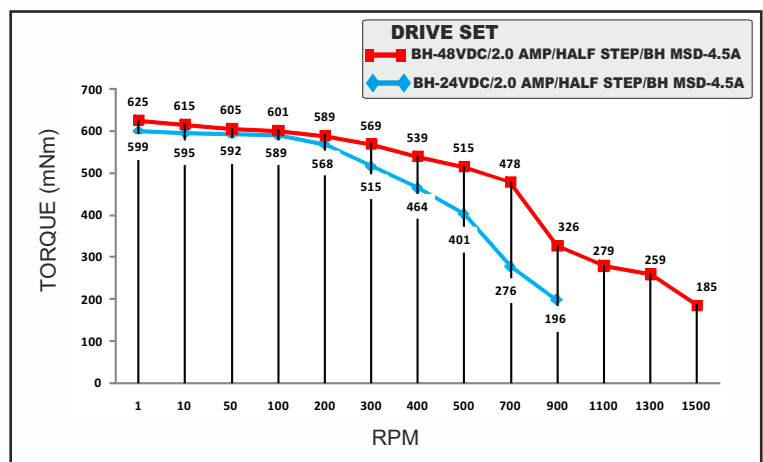
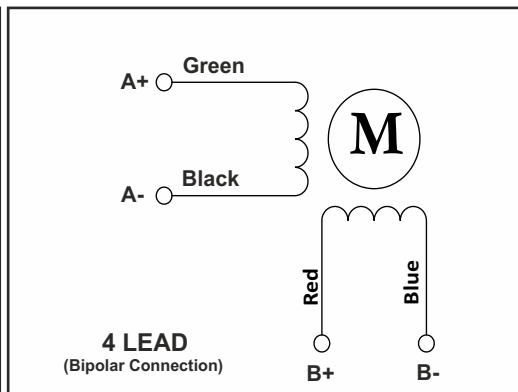
Step Angle - 1.8°
Step Angle Accuracy - ± 3 Arc Minute
Insulation Class - H
Ambient Temperature - $-20^\circ\text{C} + 50^\circ\text{C}$
Temperature Rise - 80°C Max. (Rated Current Phase 2 ON)
Insulation Resistance 100 M Ohms Min.500 VDC
Dielectric Strength 500 VAC For One Minute
Shaft Radial Play 0.02 Max. Play (450 G Load)
Shaft Axial Play 0.08 Max. Play (450 G Load)
Max.Radial Force 75 N (20MM From Front Flange)
Max.Axial Force 15 N

SPECIFICATION

BH57SH56 - 2004 A

	MODEL	Bipolar	
1	Rated Voltage	V	3.6
2	Current / Phase	A	2
3	Resistance / Phase	$\pm 10\% \Omega$	1.8
4	Inductance / Phase	$\pm 20\% \text{mH}$	4.1
5	Holding Torque	Nm	1.26
6	Rotor Inertia	G-CM ²	300
7	Weight	KG.	0.72
8	No of Lead	N ⁰	4
9	Operating Voltage	VDC	24 - 48

Wiring Diagram



MOTOR MODEL - BH57SH56-2004A



Bholanath Precision Engineering Pvt.Ltd.

11,Kembros Ind.Estate , Sonapur Lane , Bhandup (W),Mumbai - 400078.
Telefax/Phone : 25662856/25664338/67993260 Email : support@bholanath.in
Mobile No : 9920903825/9821671733/9930514603/9819515543/9323166582.