

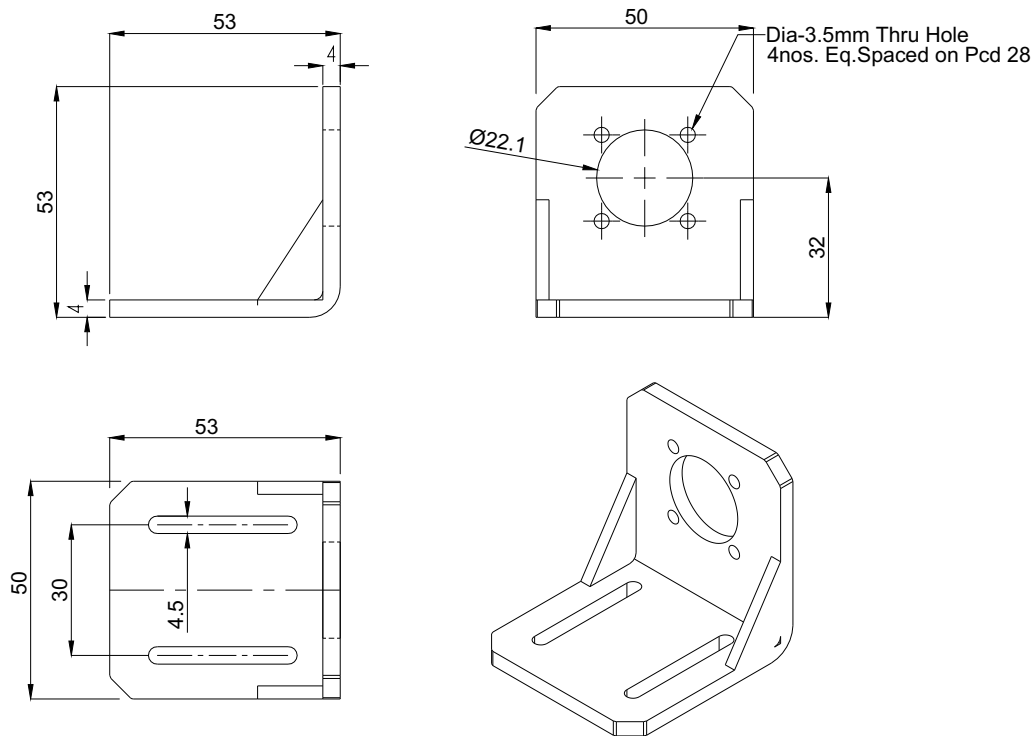
SPECIFICATION SHEET
Bholanath

NEMA 17(42MM)
Model No:- BH42-MB-PL
MOUNTING BRACKET



BHOLANATH Mounting Bracket, BH42-MB-PL Suitable For All Nema 17(42MM) Frame Size Planetary Geared Stepper Motors. Constructed Of High Tensile Alloy Steel, Single Piece Construction, With Adjustable Slots For Easier Fitting.

Weight:- 0.15KG



Bholanath Precision Engineering Pvt.Ltd.

11,Kembros Ind.Estate , Sonapur Lane , Bhandup (W),Mumbai - 400078.
Telefax/Phone : 25662856/25664338/67993260 Email : support@bholanath.in
Mobile No : 9920903825/9821671733/9930514603/9819515543/9323166582.