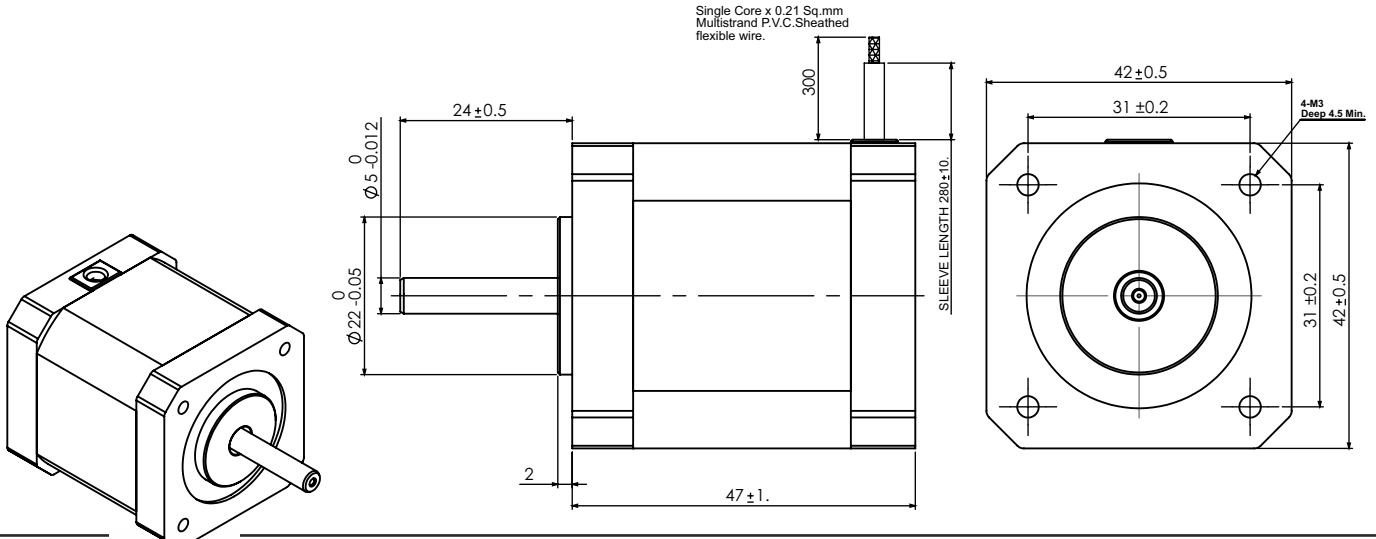


SPECIFICATION SHEET
Bholanath

STEPPER MOTOR
BH42 SH 47-1004 A-B12
HIGH TORQUE HYBRID



TECHNICAL DATA

CHARACTERISTICS

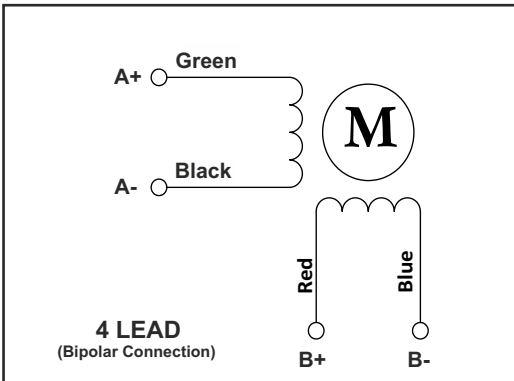
Step Angle - 1.8°
Step Angle Accuracy - ± 3 Arc Minute
Insulation Class - H
Ambient Temperature - - 20°C + 50°C
Temperature Rise - 80°C Max. (Rated Current Phase 2 ON)
Insulation Resistance 100 M Ohms Min.500 VDC
Dielectric Strength 500 VAC For One Minute
Shaft Radial Play 0.02 Max. Play (450 G Load)
Shaft Axial Play 0.08 Max. Play (450 G Load)
Max.Radial Force 28 N (20MM From Front Flange)
Max.Axial Force 10 N

SPECIFICATION

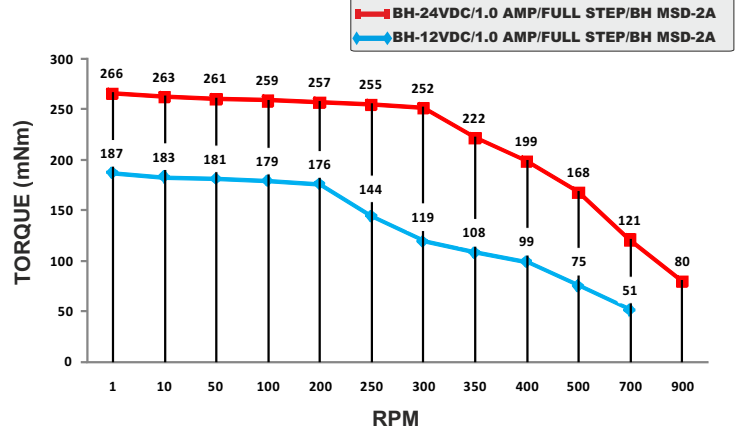
BH42SH47 - 1004A-B12

	MODEL	Bipolar	
1	Rated Voltage	V	7.8
2	Current / Phase	A	1
3	Resistance / Phase	± 10% Ω	7.8
4	Inductance / Phase	± 20% mH	9.52
5	Holding Torque	Nm	0.4
6	Rotor Inertia	G-CM ²	68
7	Weight	KG.	0.365
8	No of Lead	N ⁰	4
9	Operating Voltage	VDC	24 - 42

Wiring Diagram



DRIVE SET



MOTOR MODEL - BH 42 SH47-1004A-B12



Bholanath Precision Engineering Pvt.Ltd.

11,Kembros Ind.Estate , Sonapur Lane , Bhandup (W),Mumbai - 400078.
Telefax/Phone : 25662856/25664338/67993260 Email : support@bholanath.in
Mobile No : 9920903825/9821671733/9930514603/9819515543/9323166582.