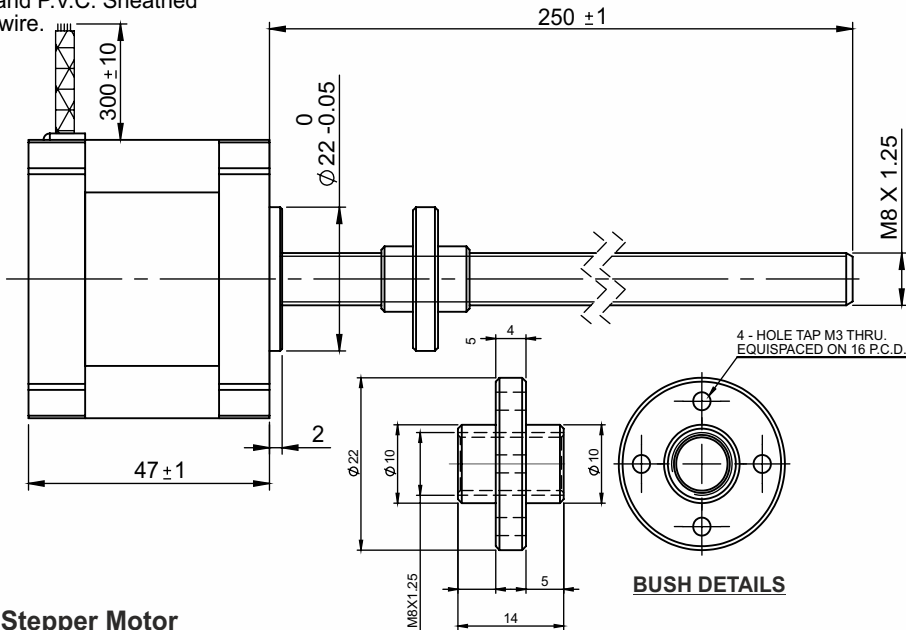
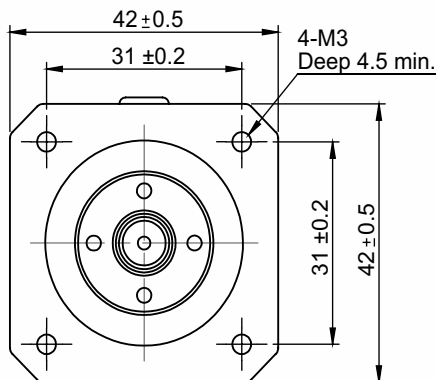


SPECIFICATION SHEET
Bholanath

STEPPER MOTOR
BH 42 SH 47-1504 LA(250/300/450)
(M8X1.25)
HIGH TORQUE HYBRID



Single Core x 0.21 Sq.mm
Multistrand P.V.C. Sheathed
flexible wire.



Standard Lead Length: 250mm
Available Lead Length: 300,450mm

Model Type : Linear Actuator Captive Stepper Motor

TECHNICAL DATA

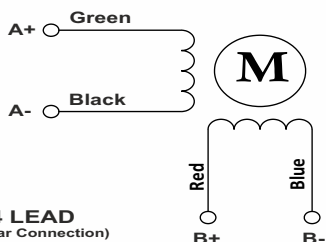
CHARACTERISTICS

Step Angle - 1.8°
Step Angle Accuracy - ± 3 Arc Minute
Insulation Class - H
Ambient Temperature - (- 20°C to + 50°C)
Temperature Rise - 80°C Max. (Rated Current Phase 2 ON)
Insulation Resistance 100 M Ohms Min.500 VDC
Dielectric Strength 500 VAC For One Minute
Shaft Radial Play 0.02 Max. Play (450 G Load)
Shaft Axial Play 0.08 Max. Play (450 G Load)
Max.Radial Force 28 N (20MM From Front Flange)

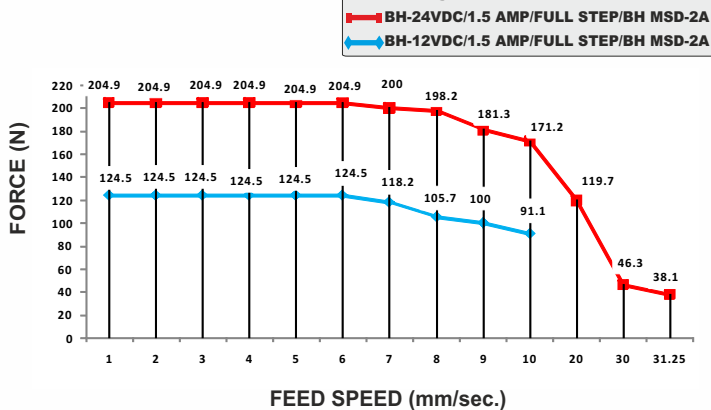
SPECIFICATION BH 42 SH 47- 1504 LA(250/300/450) (M8X1.25)

MODEL		Bipolar
1	Rated Voltage	V 4.2
2	Current / Phase	A 1.5
3	Resistance / Phase	± 10% Ω 2.8
4	Inductance / Phase	± 20% mH 5.7
5	Holding Torque	Nm 0.55
6	Rotor Inertia	G-CM ² 91.03
7	Weight	KG. 0.475
8	No of Lead	N ⁰ 4
9	Operating Voltage	VDC 12 - 24
10	Linear Step size - 6.25 micron per full step	

Wiring Diagram



DRIVE SET



Bholanath Precision Engineering Pvt.Ltd.

COMMITTED TO PRECISION

11,Kembros Ind.Estate , Sonapur Lane , Bhandup (W),Mumbai - 400078.

BHOLANATH COOL STEPPERS™

Telefax/Phone : 25662856/25664338/67993260 Email : support@bholanath.in
Mobile No : 9920903825/9821671733/9930514603/9819515543/9323166582.