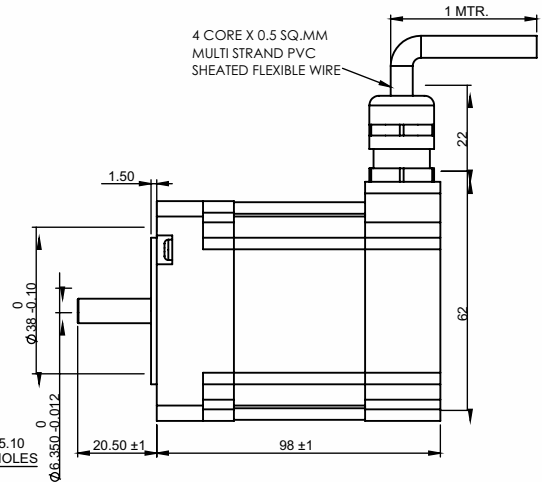
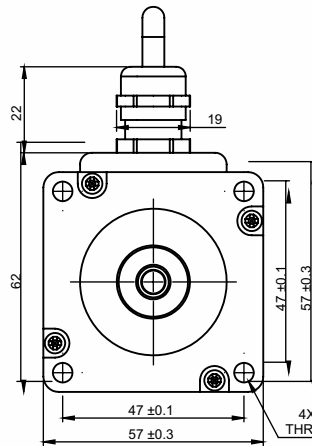
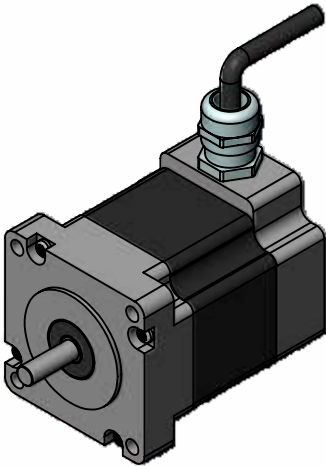


**SPECIFICATION SHEET**  
**Bholanath**

**STEPPER MOTOR**  
**Bh57 SH 98 - 2804 A - IP68**  
**HIGH TORQUE HYBRID**



**IP 68 PROTECTION AGAINST CONTACT AND INFILTRATION OF DIRT AND WATER (UP TO 2MTR For 2 Hours)**



**TECHNICAL DATA**

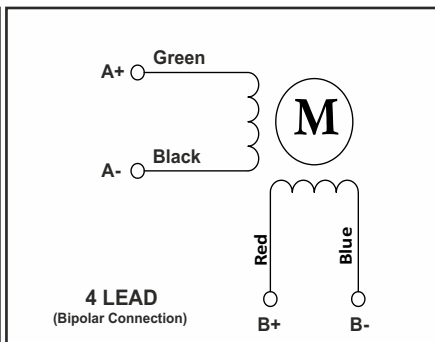
**CHARACTERISTICS**

|   |
|---|
| Step Angle - 1.8°   |
| Step Angle Accuracy - ± 3 Arc Minute                      |
| Insulation Class - H                                      |
| Protection Class - DIN 40050 - IP 68                      |
| Ambient Temperature - 20°C + 50°C                         |
| Temperature Rise - 80°C Max. ( Rated Current Phase 2 ON ) |
| Insulation Resistance<br>100 M Ohms Min.500 VDC           |
| Dielectric Strength<br>500 VAC For One Minute             |
| Shaft Radial Play<br>0.02 Max. Play ( 450 G Load )        |
| Shaft Axial Play<br>0.08 Max. Play ( 450 G Load )         |
| Max.Radial Force<br>28 N ( 20MM From Front Flange )       |
| Max.Axial Force<br>10 N                                   |

**SPECIFICATION BH57SH98 - 2804 A - IP68**

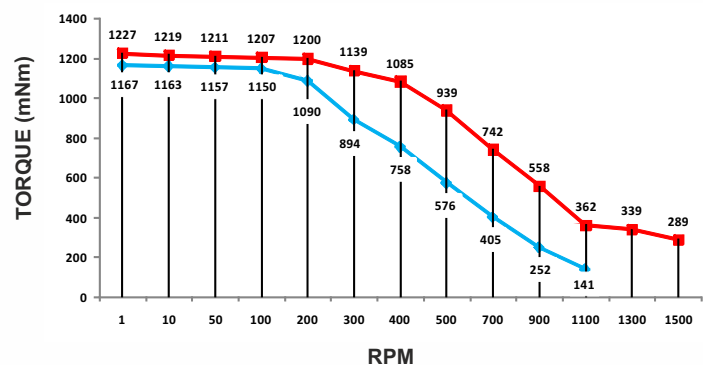
|   | MODEL              | Bipolar           |
|---|--------------------|-------------------|
| 1 | Rated Voltage      | V                 |
| 2 | Current / Phase    | A                 |
| 3 | Resistance / Phase | ± 10% Ω           |
| 4 | Inductance / Phase | ± 20% mH          |
| 5 | Holding Torque     | Nm                |
| 6 | Rotor Inertia      | G-CM <sup>2</sup> |
| 7 | Weight             | KG.               |
| 8 | No of Lead         | N <sup>0</sup>    |
| 9 | Operating Voltage  | VDC               |

**Wiring Diagram**



**DRIVE SET**

- BH-48VDC/2.8 AMP/HALF STEP/BH MSD-4.5A
- ◆ BH-24VDC/2.8 AMP/HALF STEP/BH MSD-4.5A



**MOTOR MODEL - BH57SH98-2804A - IP68**



**Bholanath Precision Engineering Pvt.Ltd.**

11,Kembros Ind.Estate , Sonapur Lane , Bhandup (W),Mumbai - 400078.  
Telefax/Phone : 25662856/25664338/67993260 Email : support@bholanath.in  
Mobile No : 9920903825/9821671733/9930514603/9819515543/9323166582.