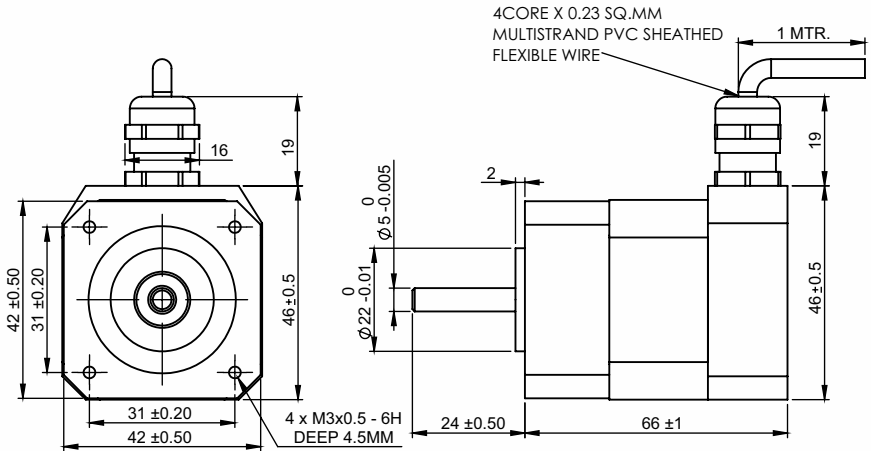
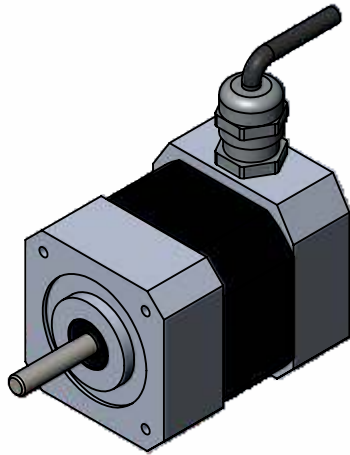


**SPECIFICATION SHEET**  
**Bholanath**

**STEPPER MOTOR**  
**BH42 SH 66-1004 A-IP68**  
**HIGH TORQUE HYBRID**



**IP 68 PROTECTION AGAINST CONTACT AND INFILTRATION OF DIRT AND WATER (UP TO 2MTR FOR 2 HOURS)**



**TECHNICAL DATA**

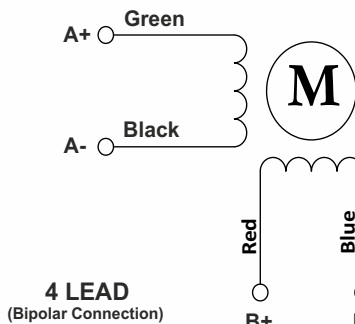
**CHARACTERISTICS**

Step Angle - 1.8°
Step Angle Accuracy - ± 3 Arc Minute
Insulation Class - H
Ambient Temperature - - 20°C + 50°C
Temperature Rise - 80°C Max. ( Rated Current Phase 2 ON )
Insulation Resistance 100 M Ohms Min.500 VDC
Dielectric Strength 500 VAC For One Minute
Shaft Radial Play 0.02 Max. Play ( 450 G Load )
Shaft Axial Play 0.08 Max. Play ( 450 G Load )
Max.Radial Force 28 N ( 20MM From Front Flange )
Max.Axial Force 10 N

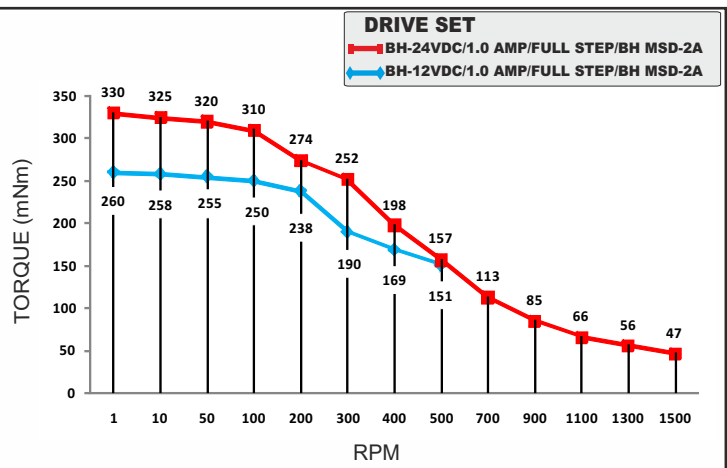
**SPECIFICATION BH42SH66 - 1004A-IP68**

	MODEL	Bipolar	
1	Rated Voltage	V	7.8
2	Current / Phase	A	1
3	Resistance / Phase	± 10% Ω	7.8
4	Inductance / Phase	± 20% mH	9.5
5	Holding Torque	Nm	0.42
6	Rotor Inertia	G-CM <sup>2</sup>	68
7	Weight	KG.	0.365
8	No of Lead	N <sup>0</sup>	4
9	Operating Voltage	VDC	24 - 42

**Wiring Diagram**



**4 LEAD**  
(Bipolar Connection)



**MOTOR MODEL - Bh42 SH66-1004A-IP68**



**Bholanath Precision Engineering Pvt.Ltd.**

COMMITTED TO PRECISION

11,Kembros Ind.Estate , Sonapur Lane , Bhandup (W),Mumbai - 400078.

BHOLANATH COOL STEPPERS™

Telefax/Phone : 25662856/25664338/67993260 Email : support@bholanath.in

Mobile No : 9920903825/9821671733/9930514603/9819515543/9323166582.