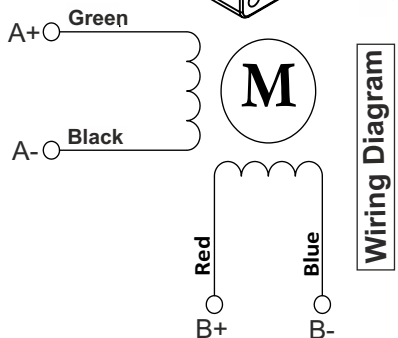
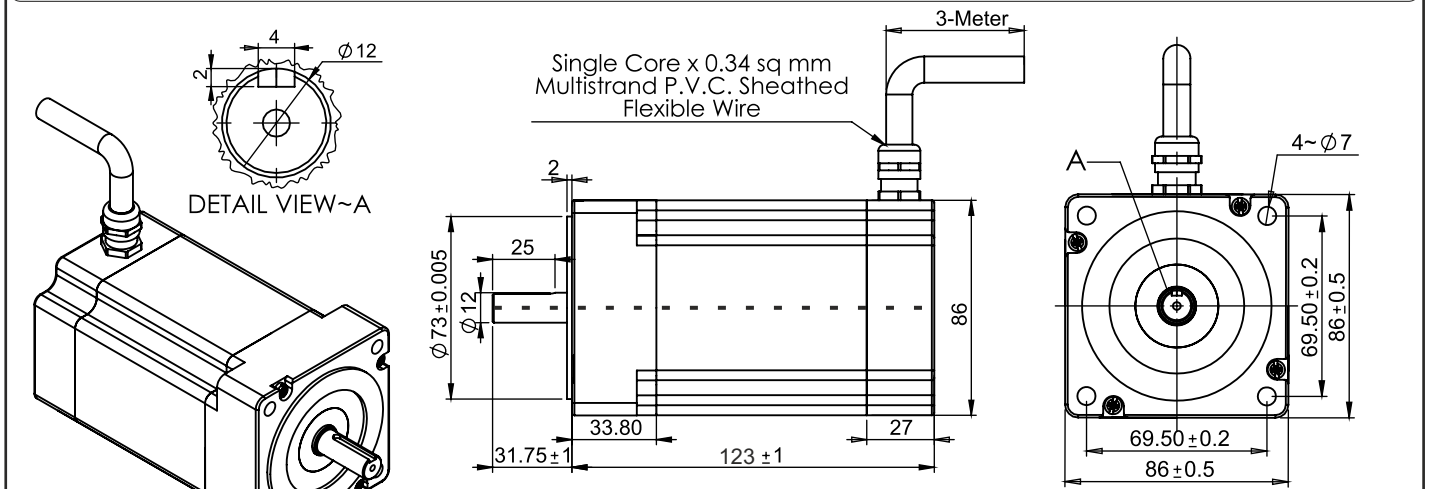


**SPECIFICATION SHEET**  
**Bholanath**

**STEPPER MOTOR**  
**BH86SH 123 - 5504AKS-IP68**  
**HIGH TORQUE HYBRID**



**IP 68 PROTECTION AGAINST CONTACT AND INFILTRATION OF DIRT AND WATER (UP TO 2MTR FOR 2 HOURS)**

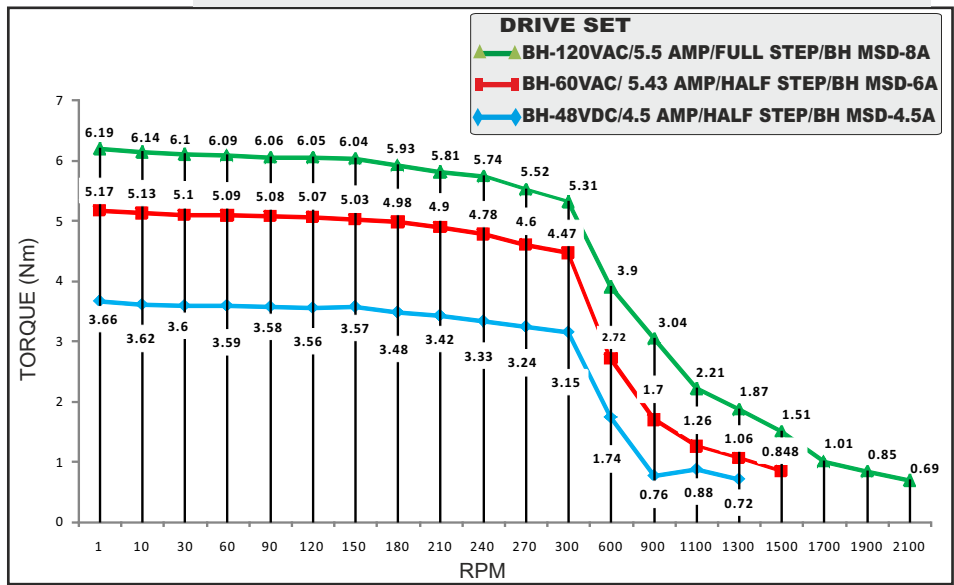


**TECHNICAL DATA**

SPECIFICATION BH86SH123 - 5504 AKS-IP68		
MODEL		Bipolar
1	Rated Voltage	V
2	Current / Phase	A
3	Resistance / Phase	± 10% Ω
4	Inductance / Phase	± 20% mH
5	Holding Torque	Nm
6	Rotor Inertia	G-CM <sup>2</sup>
7	Weight	KG.
8	No of Lead	N <sup>0</sup>
9	Operating Voltage	VDC
10	Operating Voltage	VAC

**CHARACTERISTICS**

- Step Angle - 1.8°
- Step Angle Accuracy - ± 3 Arc Minute
- Insulation Class - H
- Ambient Temperature - - 20°C + 50°C
- Temperature Rise - 80°C Max. ( Rated Current Phase 2 ON )
- Insulation Resistance 100 M Ohms Min.500 VDC
- Dielectric Strength 820 VAC For One Minute
- Shaft Radial Play 0.02 Max. Play ( 450 G Load )
- Shaft Axial Play 0.08 Max. Play ( 450 G Load )
- Max.Radial Force 220 N ( 20MM From Front Flange )
- Max.Axial Force 60 N



**STEPPER MOTOR - BH86SH123-5504AKS-IP68**



**Bholanath Precision Engineering Pvt.Ltd.**

11,Kembros Ind.Estate , Sonapur Lane , Bhandup (W),Mumbai - 400078.  
 Telefax/Phone : 25662856/25664338/67993260 Email : support@bholanath.in  
 Mobile No : 9920903825/9821671733/9930514603/9819515543/9323166582.