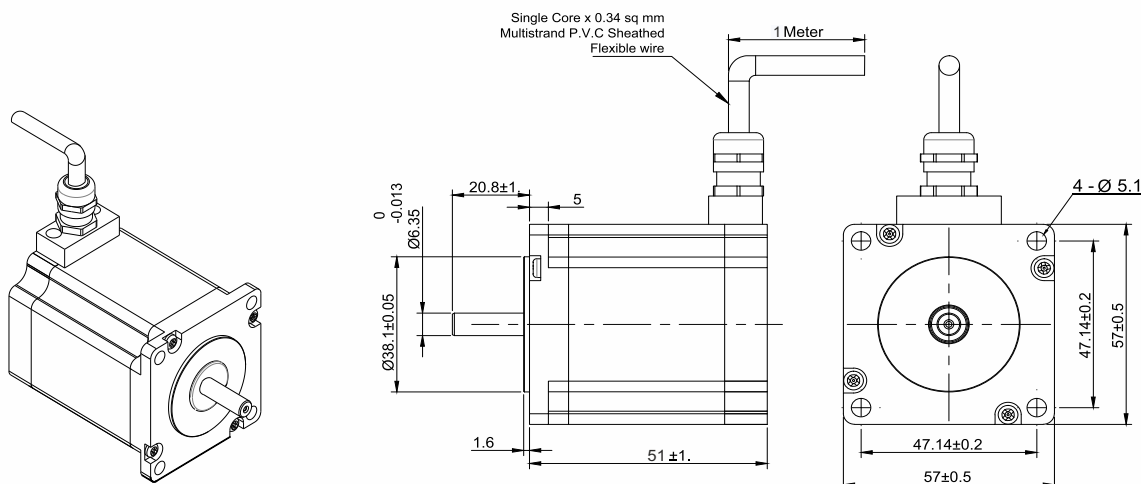


**SPECIFICATION  
SHEET**  
**Bholanath**

**STEPPER MOTOR**  
**BH 57 SH 51-2804 A - IP65**  
**HIGH TORQUE HYBRID**



**IP65** PROTECTION AGAINST CONTACT AND INFILTRATION OF WATER AND DIRT



**TECHNICAL DATA**

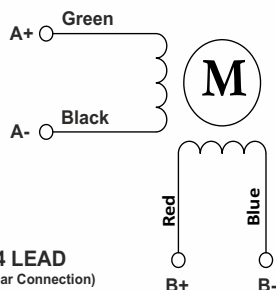
**CHARACTERISTICS**

Step Angle - 1.8°
Step Angle Accuracy - ± 3 Arc Minute
Insulation Class - H
Protection Class - DIN 40050 - IP 65
Ambient Temperature - 20°C + 50°C
Temperature Rise - 80°C Max. ( Rated Current Phase 2 ON )
Insulation Resistance 100 M Ohms Min.500 VDC
Dielectric Strength 500 VAC For One Minute
Shaft Radial Play 0.02 Max. Play ( 450 G Load )
Shaft Axial Play 0.08 Max. Play ( 450 G Load )
Max.Radial Force 28 N ( 20MM From Front Flange )
Max.Axial Force 10 N

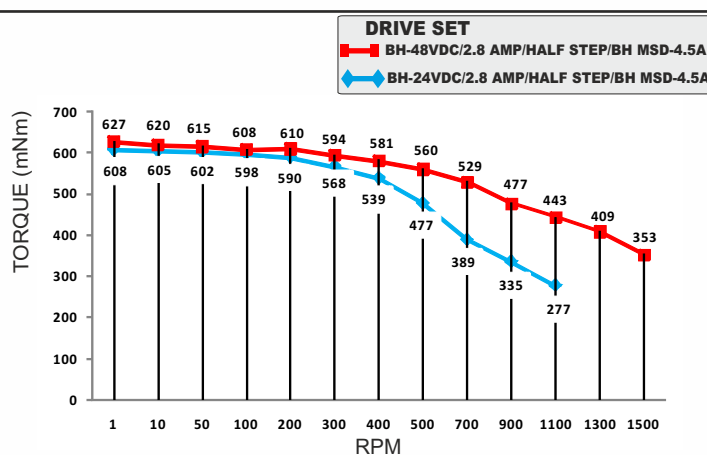
**SPECIFICATION BH57SH51 - 2804 A - IP65**

	MODEL		Bipolar
1	Rated Voltage	V	2.46
2	Current / Phase	A	2.8
3	Resistance / Phase	± 10% Ω	0.88
4	Inductance / Phase	± 20% mH	2.2
5	Holding Torque	Nm	1.01
6	Rotor Inertia	G-CM <sup>2</sup>	275
7	Weight	KG.	0.65
8	No of Lead	N <sup>0</sup>	4
9	Operating Voltage	VDC	24 - 48

**Wiring Diagram**



**4 LEAD**  
(Bipolar Connection)



**MOTOR MODEL - BH57SH51-2804A - IP65**



**Bholanath Precision Engineering Pvt.Ltd.**

11,Kembros Ind.Estate , Sonapur Lane , Bhandup (W),Mumbai - 400078.

Telefax/Phone : 25662856/25664338/67993260 Email : support@bholanath.in

Mobile No : 9920903825/9821671733/9930514603/9819515543/9323166582.