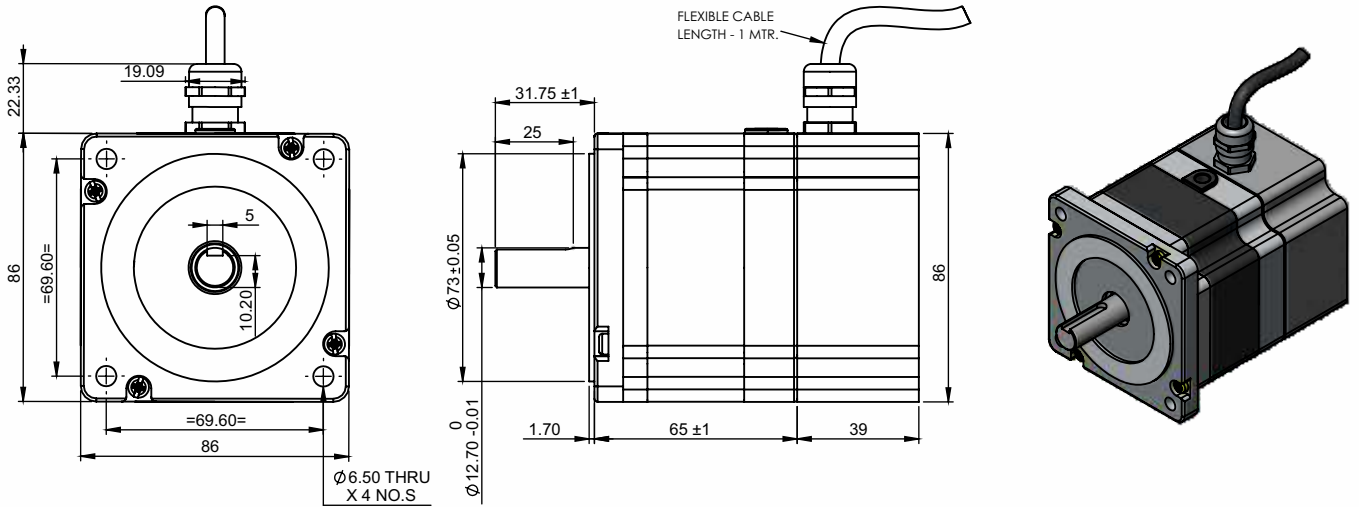


**SPECIFICATION SHEET**  
**Bholanath**

**INTEGRATED DRIVE STEPPER MOTOR**  
**BH86 SH 65 - 6004AKS-I**  
**HIGH TORQUE HYBRID**



COMMITTED TO PRECISION  
WWW.bholanath.in



**TECHNICAL DATA**

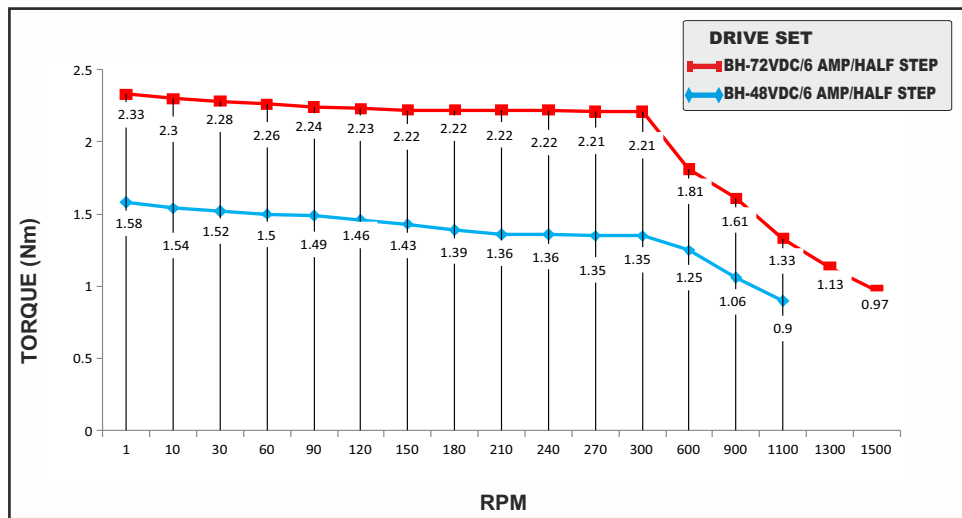
**CHARACTERISTICS**

Step Angle - 1.8°
Step Angle Accuracy - ± 3Arc Minute
Insulation Class - H
Ambient Temperature - -20°C + 50°C
Temperature Rise - 80°C Max. ( Rated Current Phase 2 ON )
Insulation Resistance 100 M Ohms Min.500 VDC
Dielectric Strength 820 VAC For One Minute
Shaft Radial Play 0.02 Max. Play ( 450 G Load )
Shaft Axial Play 0.08 Max. Play ( 450 G Load )
Max.Radial Force 220 N ( 20MM From Front Flange )
Max.Axial Force 60 N

SPECIFICATION		BH86SH65 - 6004 AKS-I	
	MODEL	Bipolar	
1	Rated Voltage	V	1.86
2	Current / Phase	A	6.0
3	Resistance / Phase	± 10% Ω	0.31
4	Inductance / Phase	± 20% mH	1.35
5	Holding Torque	Nm	2.74
6	Rotor Inertia	G-CM <sup>2</sup>	1000
7	Weight	KG.	1.85
8	No of Lead	N <sup>0</sup>	4
9	Operating Voltage	VDC	48 - 170
10	Operating Voltage	VAC	34 - 120

**Wiring Details.**

- Yellow → Pulse -
- Green → Dir -
- Blue → ENA-
- White → Com.
- Red → + VDC
- Black → - VDC



**STEPPER MOTOR - BH86SH65-6004AKS-I**



**Bholanath Precision Engineering Pvt.Ltd.**

11,Kembros Ind.Estate , Sonapur Lane , Bhandup (W),Mumbai - 400078.  
 Telefax/Phone : 25662856/25664338/67993260 Email : support@bholanath.in  
 Mobile No : 9920903825/9821671733/9930514603/9819515543/9323166582.