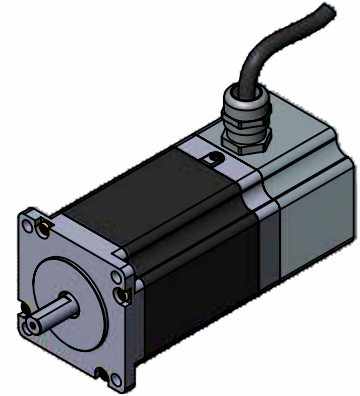
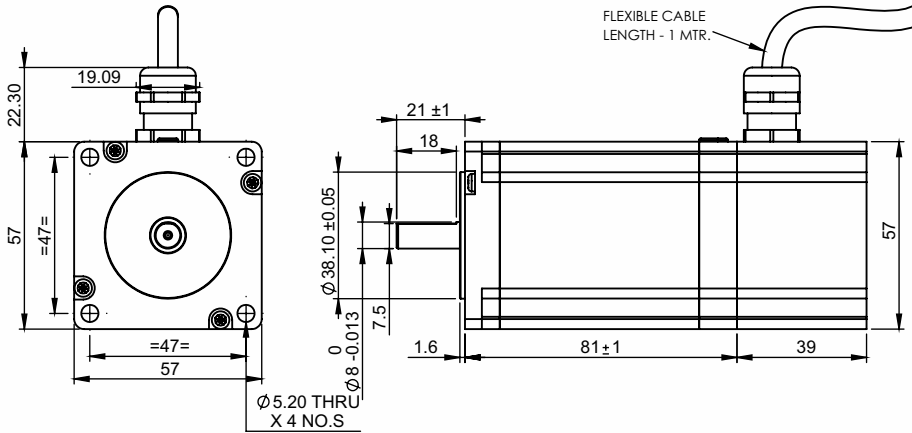


**SPECIFICATION SHEET**  
**Bholanath**

**INTEGRATED DRIVE STEPPER MOTOR**  
**BH57 SH 81 - 4004 AF-I**  
**HIGH TORQUE HYBRID**



**TECHNICAL DATA**

**CHARACTERISTICS**

Step Angle - 1.8°
Step Angle Accuracy - ± 3 Arc Minute
Insulation Class - H
Ambient Temperature - - 20°C + 50°C
Temperature Rise - 80°C Max. ( Rated Current Phase 2 ON )
Insulation Resistance 100 M Ohms Min.500 VDC
Dielectric Strength 500 VAC For One Minute
Shaft Radial Play 0.02 Max. Play ( 450 G Load )
Shaft Axial Play 0.08 Max. Play ( 450 G Load )
Max.Radial Force 75 N ( 20MM From Front Flange )
Max.Axial Force 15 N

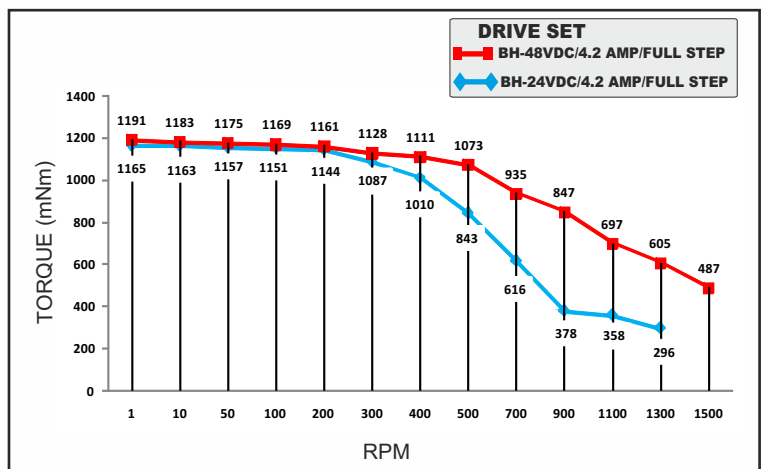
**Wiring Details.**

- Yellow → Pulse -
- Green → Dir -
- Blue → ENA-
- White → Com.
- Red → + VDC
- Black → - VDC

**SPECIFICATION**

**BH57SH81 - 4004 AF-I**

	MODEL	Bipolar	
1	Rated Voltage	V	2
2	Current / Phase	A	4
3	Resistance / Phase	± 10% Ω	0.5
4	Inductance / Phase	± 20% mH	1.4
5	Holding Torque	Nm	2.2
6	Rotor Inertia	G-CM <sup>2</sup>	500
7	Weight	KG.	1.5
8	No of Lead	N <sup>0</sup>	4
9	Operating Voltage	VDC	24 - 48



**MOTOR MODEL - BH57SH81- 4004AF-I**



**Bholanath Precision Engineering Pvt.Ltd.**

11,Kembros Ind.Estate , Sonapur Lane , Bhandup (W),Mumbai - 400078.  
Telefax/Phone : 25662856/25664338/67993260 Email : support@bholanath.in  
Mobile No : 9920903825/9821671733/9930514603/9819515543/9323166582.