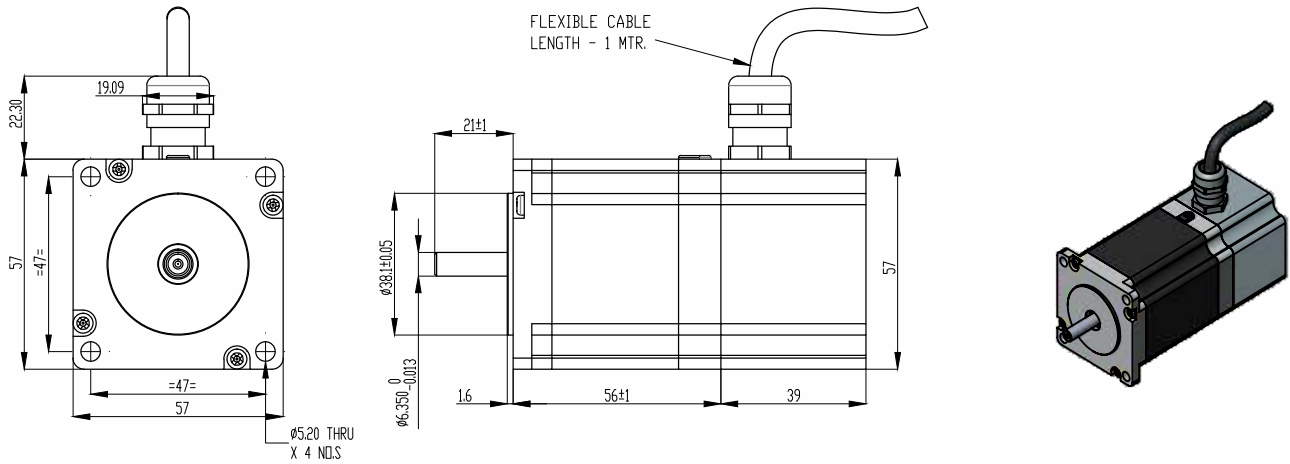


SPECIFICATION SHEET
Bholanath

INTEGRATED DRIVE STEPPER MOTOR
BH 57 SH 56 - 2804 A-I
HIGH TORQUE HYBRID



TECHNICAL DATA

CHARACTERISTICS

Step Angle - 1.8°
Step Angle Accuracy - ± 3 Arc Minute
Insulation Class - H
Ambient Temperature - - 20°C + 50°C
Temperature Rise - 80°C Max. (Rated Current Phase 2 ON)
Insulation Resistance 100 M Ohms Min.500 VDC
Dielectric Strength 500 VAC For One Minute
Shaft Radial Play 0.02 Max. Play (450 G Load)
Shaft Axial Play 0.08 Max. Play (450 G Load)
Max.Radial Force 75 N (20MM From Front Flange)
Max.Axial Force 15 N

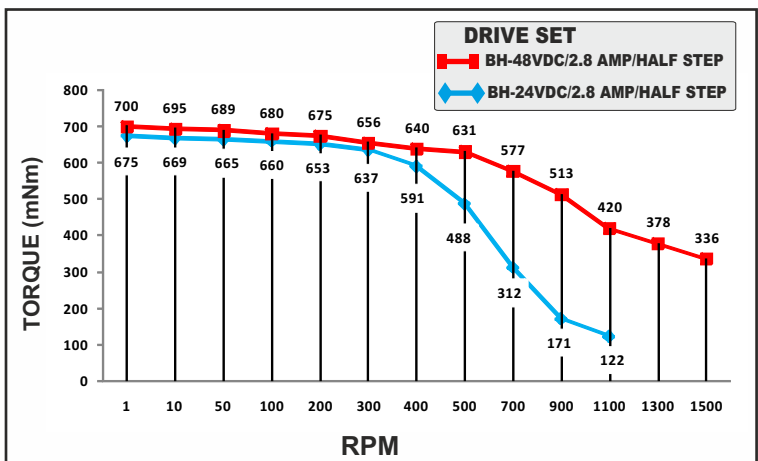
Wiring Details.

- Yellow → Pulse -
- Green → Dir -
- Blue → ENA-
- White → Com.
- Red → + VDC
- Black → - VDC

SPECIFICATION

BH57SH56 - 2804 A-I

	MODEL		Bipolar
1	Rated Voltage	V	2.8
2	Current / Phase	A	2.8
3	Resistance / Phase	± 10% Ω	1.01
4	Inductance / Phase	± 20% mH	2.5
5	Holding Torque	Nm	1.26
6	Rotor Inertia	G-CM ²	300
7	Weight	KG.	0.72
8	No of Lead	N ⁰	4
9	Operating Voltage	VDC	24 - 48



MOTOR MODEL - BH57SH56-2804A-I



Bholanath Precision Engineering Pvt.Ltd.

11,Kembros Ind.Estate , Sonapur Lane , Bhandup (W),Mumbai - 400078.

Telefax/Phone : 25662856/25664338/67993260 Email : support@bholanath.in

Mobile No : 9920903825/9821671733/9930514603/9819515543/9323166582.