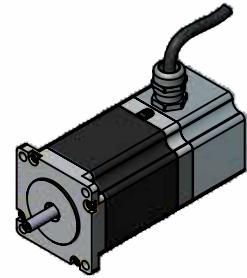
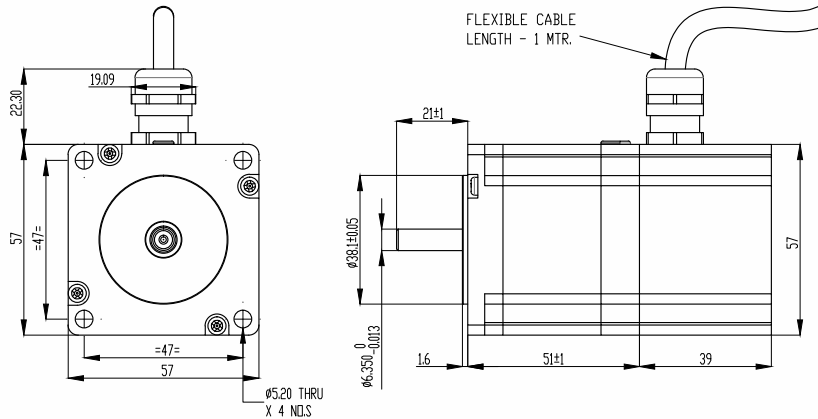


SPECIFICATION SHEET
Bholanath

INTEGRATED DRIVE STEPPER MOTOR
BH 57 SH 51-2804 A-I
HIGH TORQUE HYBRID



TECHNICAL DATA

CHARACTERISTICS

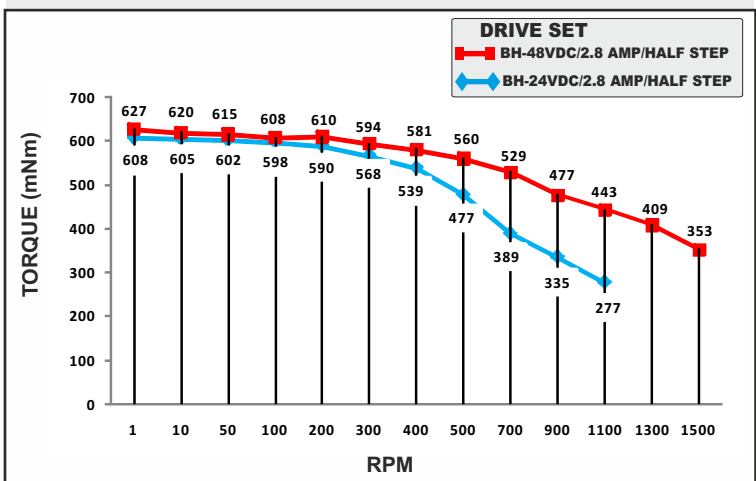
- Step Angle - 1.8°
- Step Angle Accuracy - ± 3 Arc Minute
- Insulation Class - H
- Ambient Temperature - - 20°C + 50°C
- Temperature Rise - 80°C Max. (Rated Current Phase 2 ON)
- Insulation Resistance 100 M Ohms Min.500 VDC
- Dielectric Strength 500 VAC For One Minute
- Shaft Radial Play 0.02 Max. Play (450 G Load)
- Shaft Axial Play 0.08 Max. Play (450 G Load)
- Max.Radial Force 75 N (20MM From Front Flange)
- Max.Axial Force 15 N

Wiring Details.

- Yellow → Pulse -
- Green → Dir -
- Blue → ENA-
- White → Com.
- Red → + VDC
- Black → - VDC

SPECIFICATION BH57SH51 - 2804 A-I

MODEL	Bipolar	
1 Rated Voltage	V	2.46
2 Current / Phase	A	2.8
3 Resistance / Phase	± 10% Ω	0.88
4 Inductance / Phase	± 20% mH	2.2
5 Holding Torque	Nm	1.01
6 Rotor Inertia	G-CM ²	275
7 Weight	KG.	0.65
8 No of Lead	N ⁰	4
9 Operating Voltage	VDC	24 - 48



MOTOR MODEL -BH57SH51-2804A-I



Bholanath Precision Engineering Pvt.Ltd.

11,Kembros Ind.Estate , Sonapur Lane , Bhandup (W),Mumbai - 400078.

Telefax/Phone : 25662856/25664338/67993260 Email : support@bholanath.in
Mobile No : 9920903825/9821671733/9930514603/9819515543/9323166582.