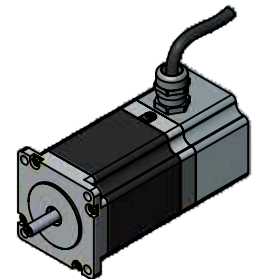
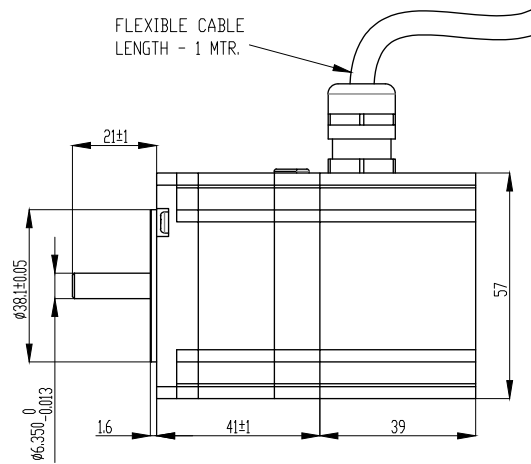
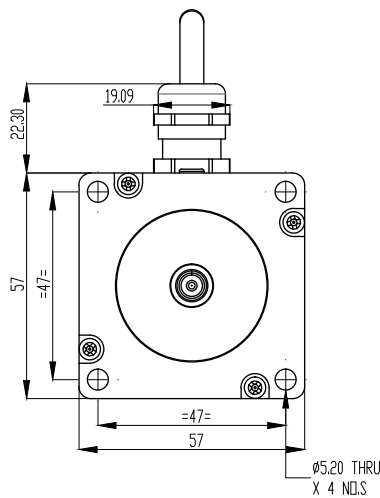


**SPECIFICATION SHEET**  
**Bholanath**

**INTEGRATED DRIVE STEPPER MOTOR**  
**BH 57 SH 41-2804- I**  
**HIGH TORQUE HYBRID**



**TECHNICAL DATA**

**CHARACTERISTICS**

Step Angle - 1.8°
Step Angle Accuracy - ± 5%
Insulation Class - H
Ambient Temperature - - 20°C + 50°C
Temperature Rise - 80°C Max. ( Rated Current Phase 2 ON )
Insulation Resistance 100 M Ohms Min.500 VDC
Dielectric Strength 500 VAC For One Minute
Shaft Radial Play 0.02 Max. Play ( 450 G Load )
Shaft Axial Play 0.08 Max. Play ( 450 G Load )
Max.Radial Force 75 N ( 20MM From Front Flange )
Max.Axial Force 15 N

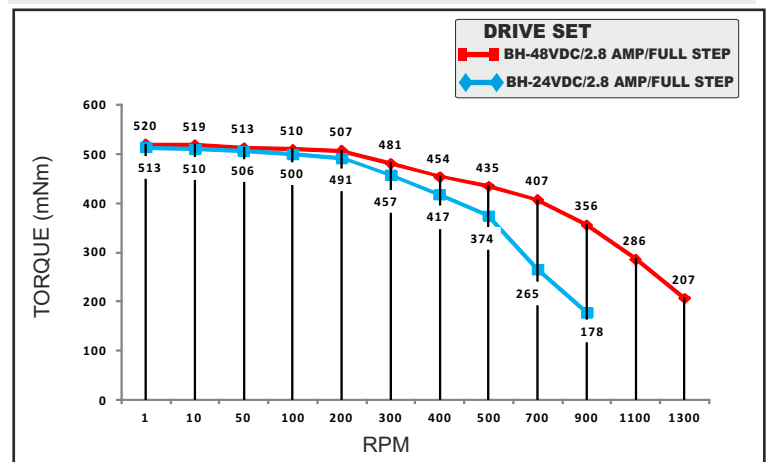
**Wiring Details.**

- Yellow → Pulse -
- Green → Dir -
- Blue → ENA-
- White → Com.
- Red → + VDC
- Black → - VDC

**SPECIFICATION**

**BH57SH41 - 2804 A-I**

MODEL	Bipolar	
1 Rated Voltage	V	2.66
2 Current / Phase	A	2.8
3 Resistance / Phase	± 10% Ω	0.95
4 Inductance / Phase	± 20% mH	1.8
5 Holding Torque	Nm	0.55
6 Rotor Inertia	G-CM <sup>2</sup>	120
7 Weight	KG.	0.45
8 No of Lead	N <sup>0</sup>	4
9 Operating Voltage	VDC	12 - 24



**MOTOR MODEL - BH57SH41-2804A-I**



**Bholanath Precision Engineering Pvt.Ltd.**

11,Kembros Ind.Estate , Sonapur Lane , Bhandup (W),Mumbai - 400078.

Telefax/Phone : 25662856/25664338/67993260 Email : support@bholanath.in

Mobile No : 9920903825/9821671733/9930514603/9819515543/9323166582.

