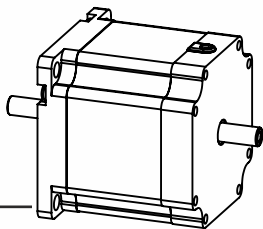
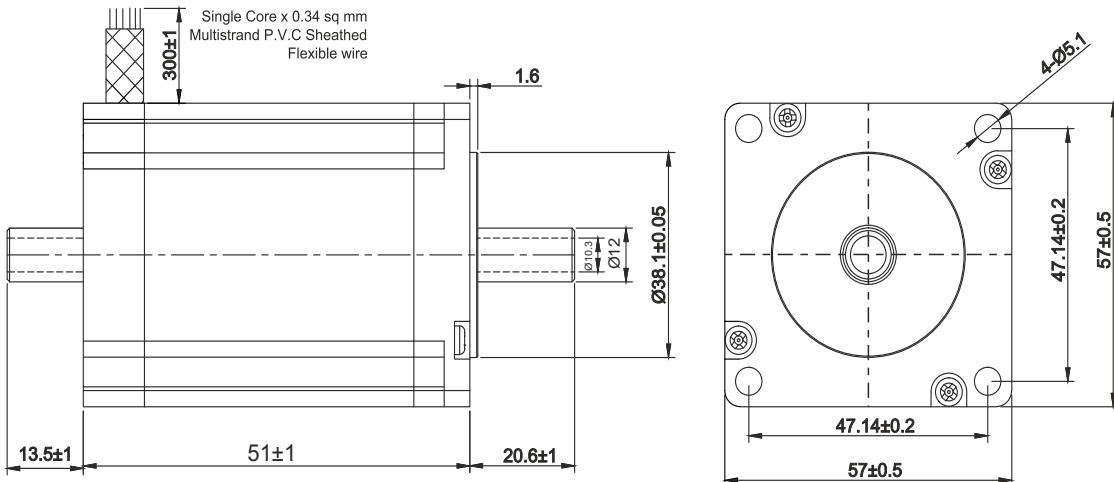


**SPECIFICATION SHEET**  
**Bholanath**

**STEPPER MOTOR**  
**BH 57 SH 51 - 2804 HS**  
**HIGH TORQUE HYBRID**



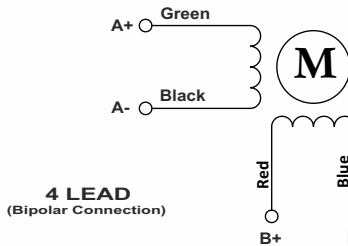
Model Type : Hollow Shaft Stepper Motor

**TECHNICAL DATA**

**CHARACTERISTICS**

- Step Angle -  $1.8^{\circ}$
- Step Angle Accuracy -  $\pm 3$  Arc Minute
- Insulation Class - H
- Ambient Temperature - (-  $20^{\circ}\text{C}$  to +  $50^{\circ}\text{C}$ )
- Temperature Rise -  $80^{\circ}\text{C}$  Max.  
( Rated Current Phase 2 ON )
- Insulation Resistance  
100 M Ohms Min.500 VDC
- Dielectric Strength  
500 VAC For One Minute
- Shaft Radial Play  
0.02 Max. Play ( 450 G Load )
- Shaft Axial Play  
0.08 Max. Play ( 450 G Load )
- Max.Radial Force  
75 N ( 20MM From Front Flange )
- Max.Axial Force  
15 N

**Wiring Diagram**

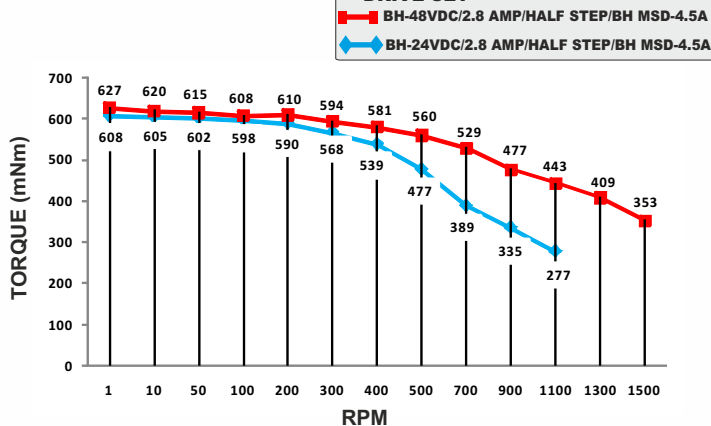


**SPECIFICATION**

**BH 57 SH 51- 2804 HS**

	MODEL	BH 57 SH 51- 2804 HS	
1	Rated Voltage	V	2.46
2	Current / Phase	A	2.8
3	Resistance / Phase	$\pm 10\%$ $\Omega$	0.88
4	Inductance / Phase	$\pm 20\%$ mH	2.2
5	Holding Torque	Nm	1.01
6	Rotor Inertia	G-CM <sup>2</sup>	275
7	Weight	KG.	0.650
8	No of Lead	N <sup>o</sup>	4
9	Operating Voltage	VDC	24 - 48

**DRIVE SET**



COMMITTED TO PRECISION

BHOLANATH COOL STEPPERS™

**Bholanath Precision Engineering Pvt.Ltd.**

11,Kembros Ind.Estate , Sonapur Lane , Bhandup (W),Mumbai - 400078.

Telefax/Phone : 25662856/25664338/67993260 Email : support@bholanath.in

Mobile No : 9920903825/9821671733/9930514603/9819515543/9323166582.