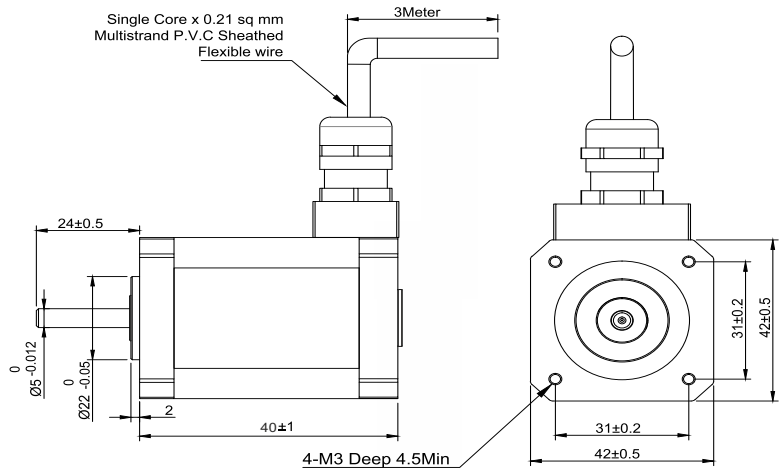
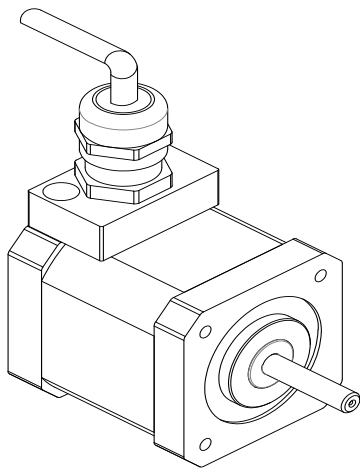


SPECIFICATION SHEET
Bholanath

STEPPER MOTOR
BH 42 SH 40-1204 A-HT
HIGH TORQUE HYBRID



TECHNICAL DATA

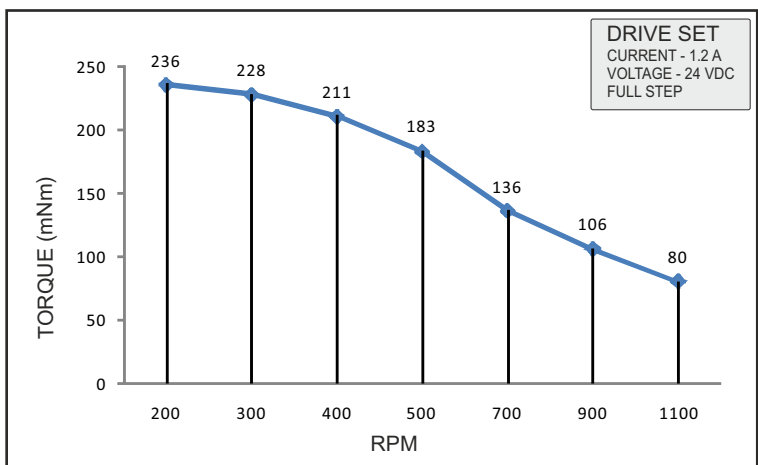
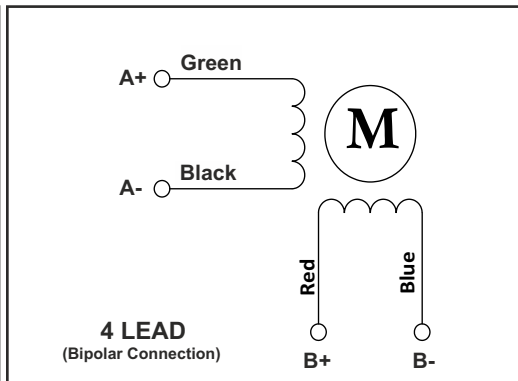
CHARACTERISTICS

Step Angle - 1.8°
Step Angle Accuracy - ± 3 Arc Minute
Insulation Class - H
Ambient Temperature - - 20°C + 50°C
Temperature Rise - 80°C Max. (Rated Current Phase 2 ON)
Insulation Resistance 100 M Ohms Min.500 VDC
Dielectric Strength 500 VAC For One Minute
Shaft Radial Play 0.02 Max. Play (450 G Load)
Shaft Axial Play 0.08 Max. Play (450 G Load)
Max.Radial Force 28 N (20MM From Front Flange)
Max.Axial Force 10 N

SPECIFICATION BH42SH40 -1204A-HT

	MODEL	Bipolar
1	Rated Voltage	V 3.36
2	Current / Phase	A 1.2
3	Resistance / Phase	± 10% Ω 2.86
4	Inductance / Phase	± 20% mH 4.65
5	Holding Torque	Nm 0.4
6	Rotor Inertia	G-CM ² 68
7	Weight	KG. 0.383
8	No of Lead	N ⁰ 4
9	Operating Voltage	VDC 12 - 24

Wiring Diagram



MOTOR MODEL - Bh40 SH 40-1204A-HT



Bholanath Precision Engineering Pvt.Ltd.

11,Kembros Ind.Estate , Sonapur Lane , Bhandup (W),Mumbai - 400078.
Telefax/Phone : 25662856/25664338/67993260 Email : support@bholanath.in
Mobile No : 9920903825/9821671733/9930514603/9819515543/9323166582.