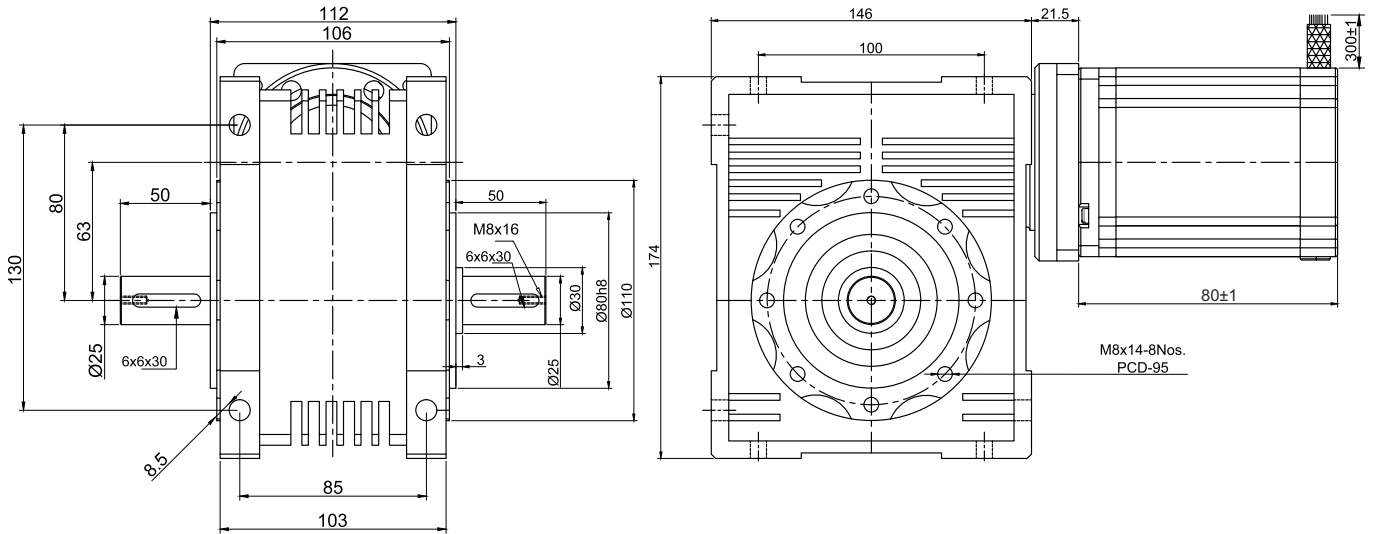
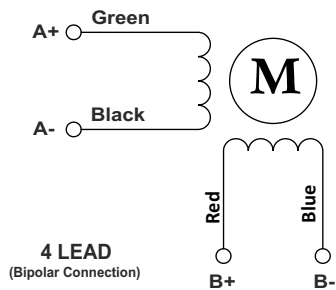


**SPECIFICATION SHEET**  
**Bholanath**

**STEPPER MOTOR**  
**BH86 SH 80 - 5504 HL-15**  
**HIGH TORQUE HYBRID**

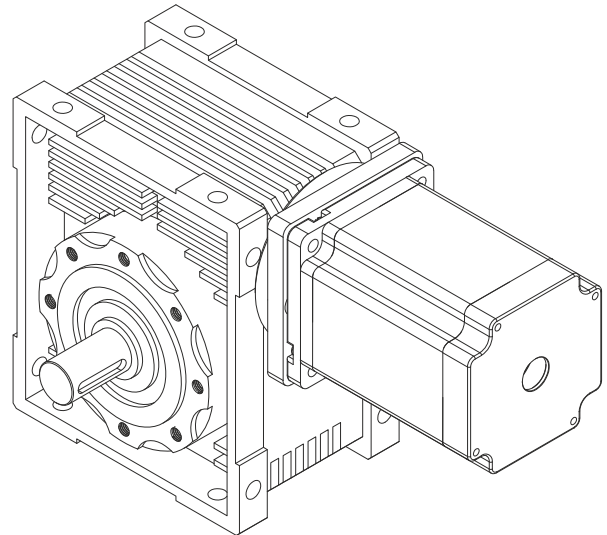


**Wiring Diagram**

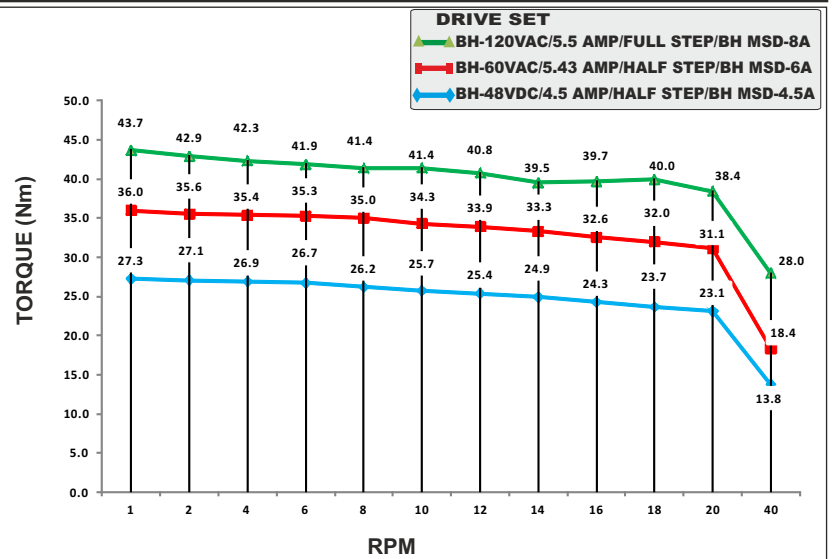


**CHARACTERISTICS**

- Motor - Bipolar
- Steps per Revolution - 200
- Step Angle - 1.8 degree
- Motor Step Angle Accuracy-  $\pm 3$  Arc minute
- Dimensions - Refer drawing
- Weight with Gear box - 9.9 Kg
- Insulation Class - Class H
- Protection Class - DIN40050 - IP30
- Resistance of Insulation - 100M  $\Omega$  500 VDC
- Resistance per phase - 0.44  $\Omega$
- Inductance per phase - 3.6 mH
- Normal current per phase - 5.5 Amp
- Operating Voltage - 48 to 170 VDC
- Operating Voltage - 34 to 120 VAC
- Stock Temperature - (-10°C to + 70°C)
- Operation Temperature - (-10°C to + 40°C)
- Holding Torque Of Motor - 4.6 Nm
- Holding Torque with gear Box - 69.0 Nm (690 Kgcm)
- Admissible Radial load- < 2973N
- Gear Box Ratio - 15:1
- Backlash - 0.8 Degree



Max.RPM At Gear Box Shaft - 35 RPM



**PLANETARY GEAR BOX STEPPER MOTOR - BH86SH80-5504HL-15**