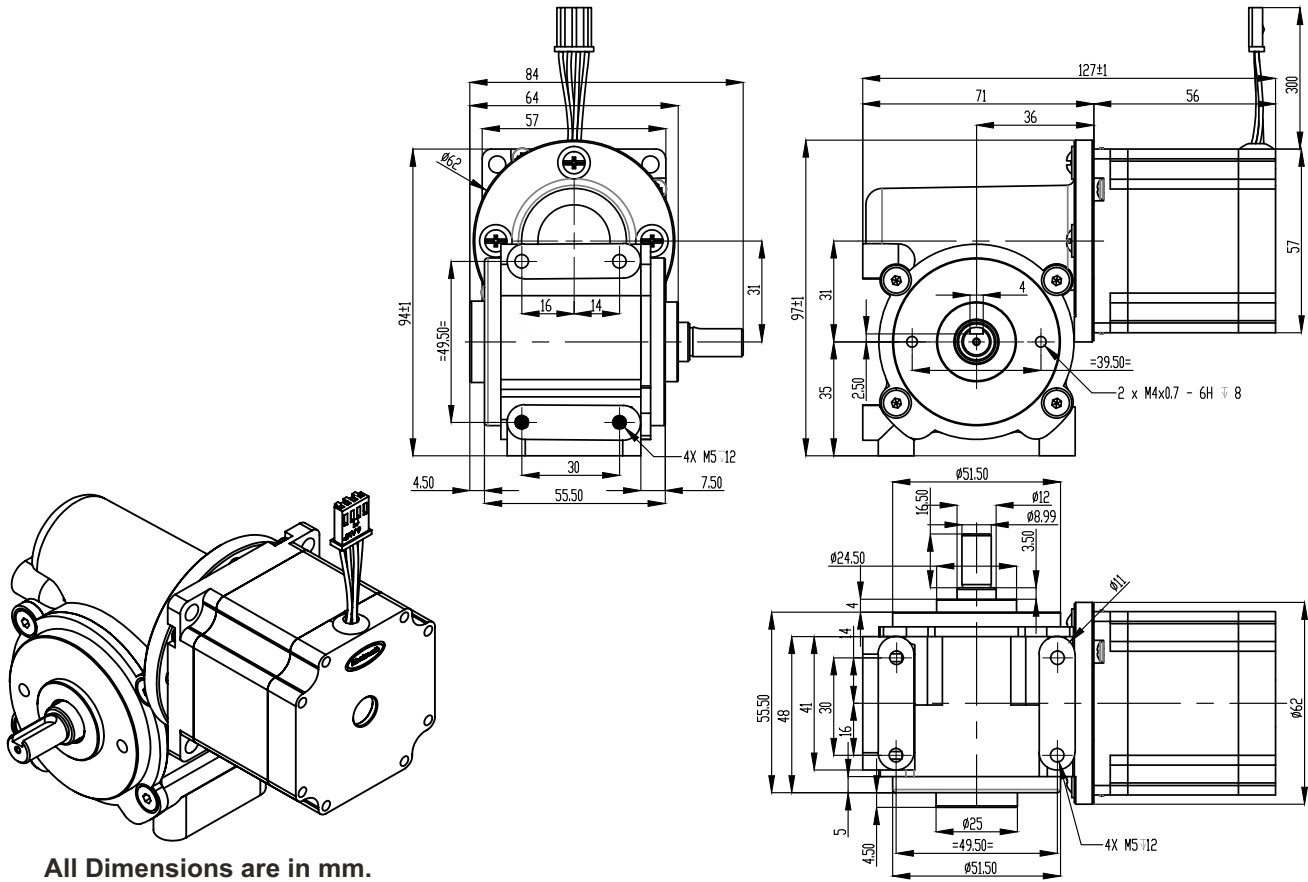


SPECIFICATION SHEET
Bholanath

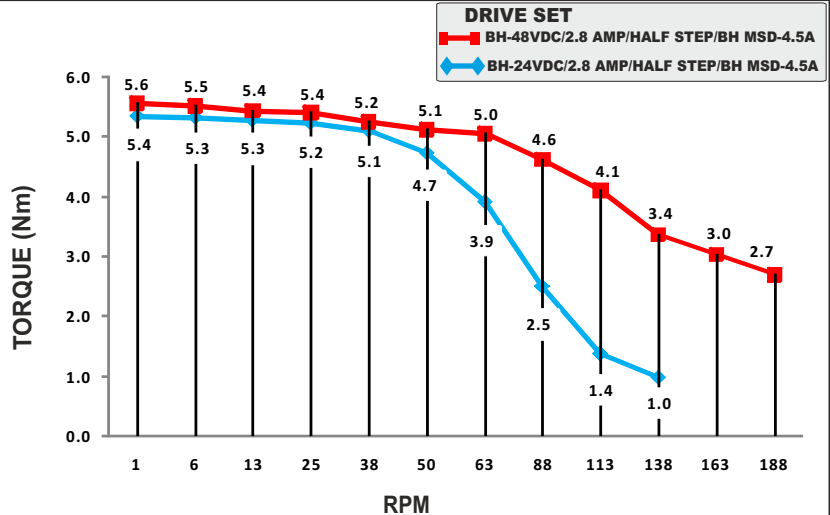
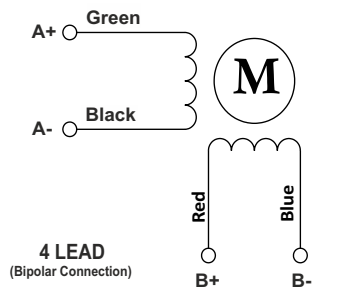
STEPPER MOTOR
BH57 SH 56 - 2804 AK
HIGH TORQUE HYBRID



CHARACTERISTICS

| |
|--|
| Motor - Bipolar |
| Steps per Revolution - 200 |
| Step Angle - 1.8 degree |
| Motor Step Angle Accuracy - ± 3 Arc Minute |
| Dimensions - Refer drawing |
| Weight with Gear box - 1.27 Kg |
| Insulation Class - Class 155 |
| Protection Class - DIN40050 - Ip30 |
| Resistance of Insulation - 100M Ω |
| Resistance per phase - 1.01 / 1.02 Ω |
| Inductance per phase - 2.5 / 2.64 mH |
| Normal current per phase - 2.8 Amp |
| Normal Power - 7 Watt |
| Operating Voltage - 42-48 Vdc |
| Stock Temperature - 10°C To 40°C |
| Operation Temperature -10°C To 40°C |
| Holding Torque for Motor - 1.26 Nm |
| Holding Torque of gear Box - 9.6 Nm (96Kgcm) |
| Shaft Axial Play - 0.08 MMMax(450 G Load) |
| Shaft Radial Play - 0.02 MMMax(450 G Load) |
| Gear Box Ratio - 8:1 |
| Backlash ≤ 0.8 Degree |
| Rotor Inertia of Motor - 300 GM-CM ² |
| Rotor Inertia of Gearbox - 137.75 GM-CM ² |

Wiring Diagram



GEAR BOX STEPPER MOTOR - BH57SH56-2804AK