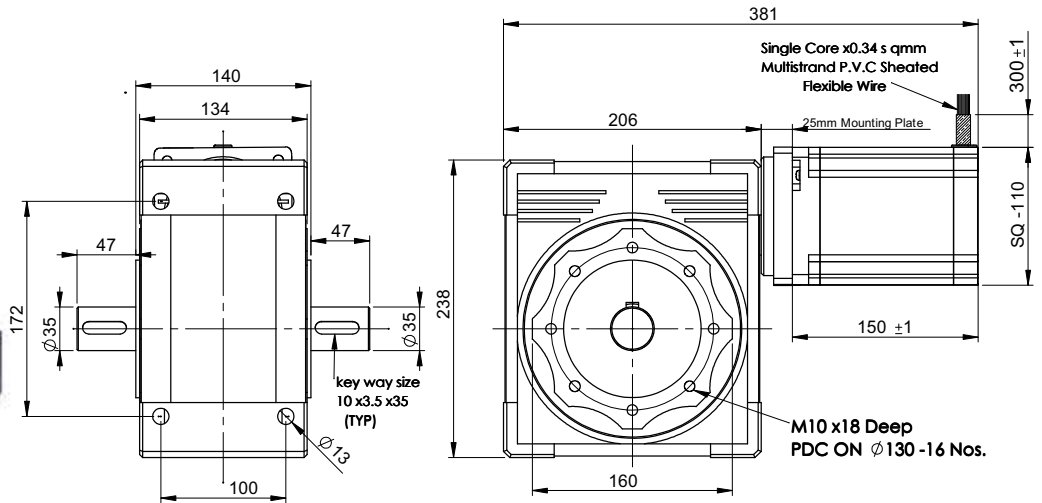
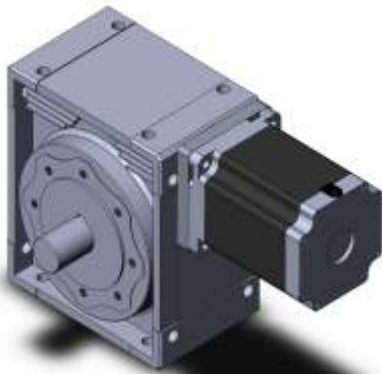
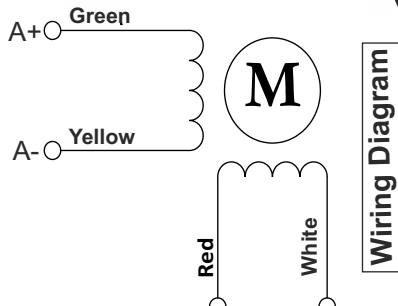


SPECIFICATION SHEET
Bholanath

STEPPER MOTOR
BH 110 SH 150 - 6504HL -20
HIGH TORQUE HYBRID

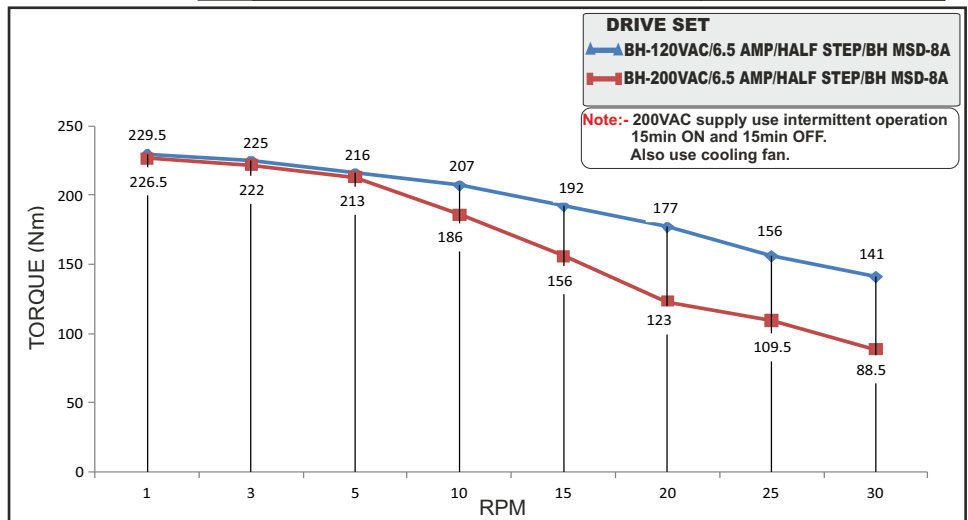


TECHNICAL DATA



SPECIFICATION BH 110 SH 150 - 6504HL-20			
	MODEL	Bipolar	
1	Rated Voltage	V	6.5
2	Current / Phase	A	6.5
3	Resistance / Phase	± 10% Ω	1
4	Inductance / Phase	± 20% mH	15.89
5	Holding Torque	Nm	44
6	Rotor Inertia of motor	G-CM ²	10900
7	Weight with worm gear	KG.	22
8	No of Lead	N ⁰	4
9	Operating Voltage	VAC	120 - 200

CHARACTERISTICS
Step Angle - 1.8°
Step Angle Accuracy - ± 3 Arc Minute
Dimensions - Refer drawing
Protection Class - DIN40050 - Ip30
Insulation Class - Class 155
Ambient Temperature - - 20°C + 50°C
Temperature Rise - 80°C Max. (Rated Current Phase 2 ON)
Insulation Resistance 100 M Ohms Min.500 VDC
Operation Temperature -10°C To 40°C
Dielectric Strength 1800 VAC For One Minute
Weight with Gear box - 22 Kg
Holding Torque with gear Box - 440.0 Nm (4400Kgcm)
Gear Box Ratio - 20:1
Backlash ≤0.7 Degree



STEPPER MOTOR - BH 110 SH 150 - 6504HL-20



Bholanath Precision Engineering Pvt.Ltd.

11,Kembros Ind.Estate , Sonapur Lane , Bhandup (W),Mumbai - 400078.
Telefax/Phone : 25662856/25664338/67993260 Email : support@bholanath.in
Mobile No : 9920903825/9821671733/9930514603/9819515543/9323166582.