

**SPECIFICATION SHEET**  
**Bholanath**

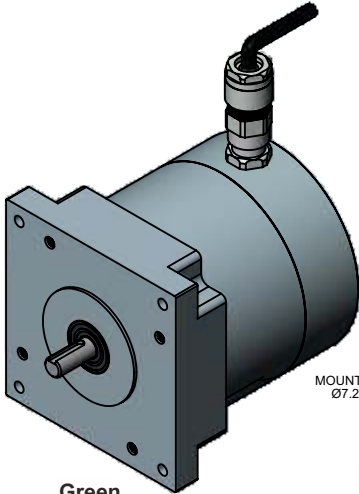
**STEPPER MOTOR**  
**BH86 SH 184 - 6004 AKS-FLP**  
**HIGH TORQUE HYBRID**



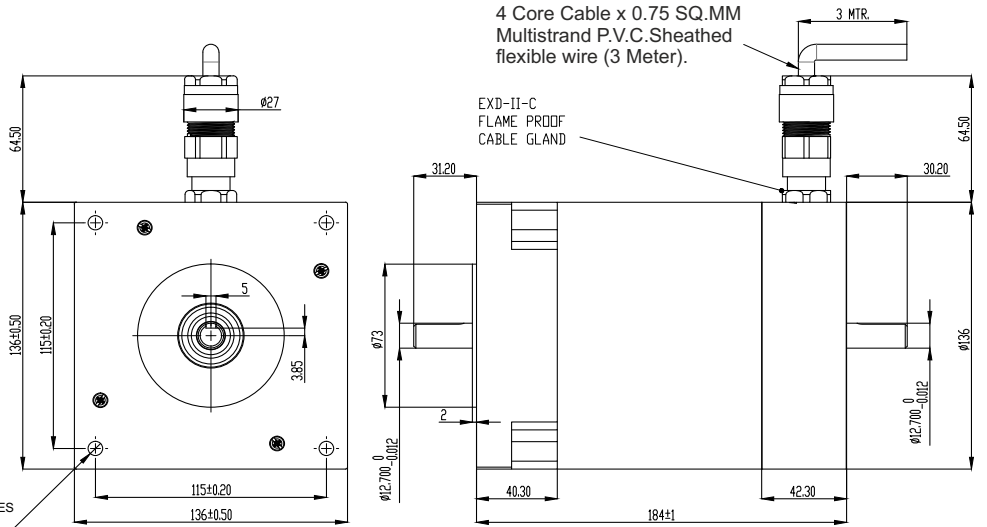
COMMITTED TO PRECISION

**Flame Proof Standard:-**

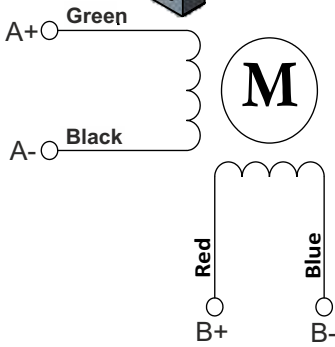
CLASS :- 1 , ZONE :- 1 , Ex db (IIA/IIB/IIC) T6 Gb (-20°C ≤ Ta ≤ +50°C)  
INGRESS PROTECTION:- IP 64



MOUNTING HOLES  
Ø7.2 X 4Nos



**TECHNICAL DATA**

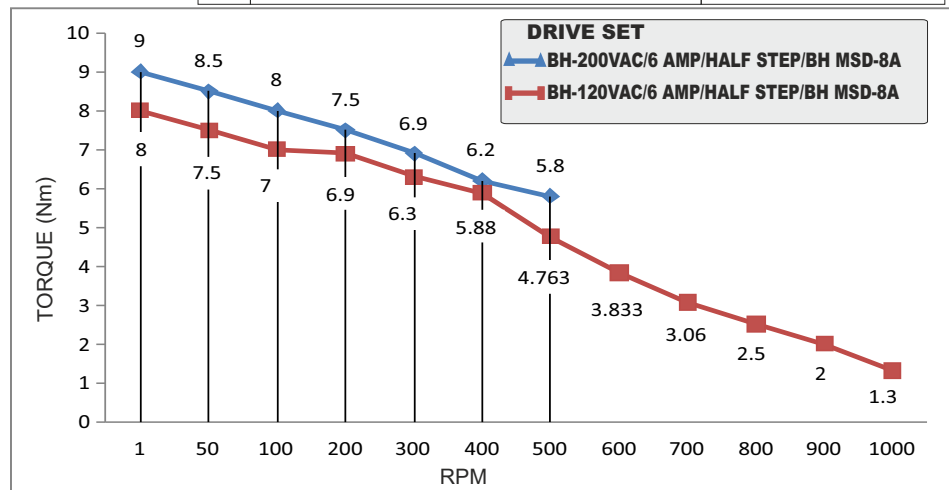


**SPECIFICATION BH 86SH 184 - 6004 AKS-FLP**

	MODEL	Bipolar	
1	Rated Voltage	V	4.8
2	Current / Phase	A	6
3	Resistance / Phase	± 10% Ω	0.8
4	Inductance / Phase	± 20% mH	7.02
5	Holding Torque	Nm	13.3
6	Rotor Inertia	G-CM <sup>2</sup>	4000
7	Weight	KG.	10 KG ± 0.1
8	No of Lead	N <sup>0</sup>	4
9	Operating Voltage	VDC	48 - 170
10	Operating Voltage	VAC	34 - 120

**CHARACTERISTICS**

Step Angle - 1.8°
Step Angle Accuracy - ± 3 Arc Minute
Insulation Class - H
Ambient Temperature - - 20°C + 50°C
Temperature Rise - 80°C Max. ( Rated Current Phase 2 ON )
Insulation Resistance 100 M Ohms Min.500 VDC
Dielectric Strength 820 VAC For One Minute
Shaft Radial Play 0.02 Max. Play ( 450 G Load )
Shaft Axial Play 0.08 Max. Play ( 450 G Load )
Max.Radial Force 220 N ( 20MM From Front Flange )
Max.Axial Force 60 N



**STEPPER MOTOR - BH86SH184-6004AKS-FLP**



**Bholanath Precision Engineering Pvt.Ltd.**

11, Kembros Ind.Estate, Sonapur Lane, Bhandup (W), Mumbai - 400078.  
Telefax/Phone : 25662856/25664338/67993260 Email : support@bholanath.in  
Mobile No : 9920903825/9821671733/9930514603/9819515543/9323166582.