

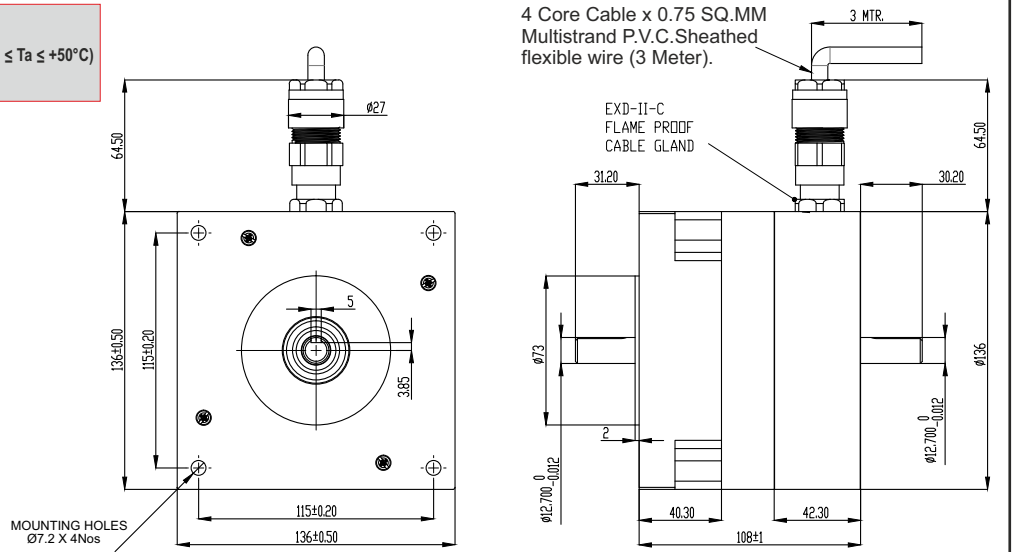
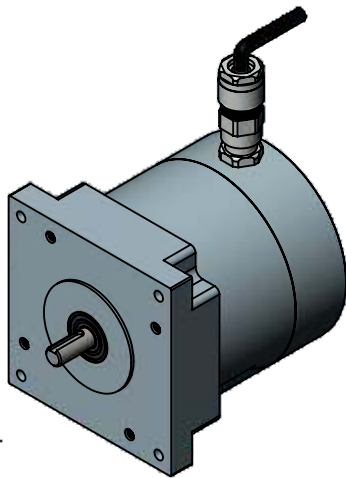
**SPECIFICATION SHEET**  
**Bholanath**

**STEPPER MOTOR**  
**BH86 SH 108 - 4104AKS-FLP**  
**HIGH TORQUE HYBRID**

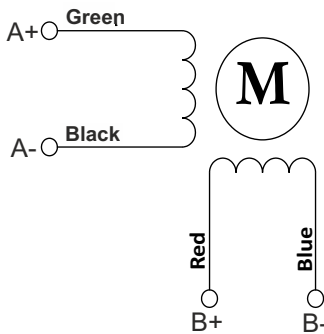


**Flame Proof Standard:-**

CLASS :- 1, ZONE :- 1, Ex db (IIA/IIB/IIC) T6 Gb (-20°C ≤ Ta ≤ +50°C)  
INGRESS PROTECTION:- IP 64



**TECHNICAL DATA**

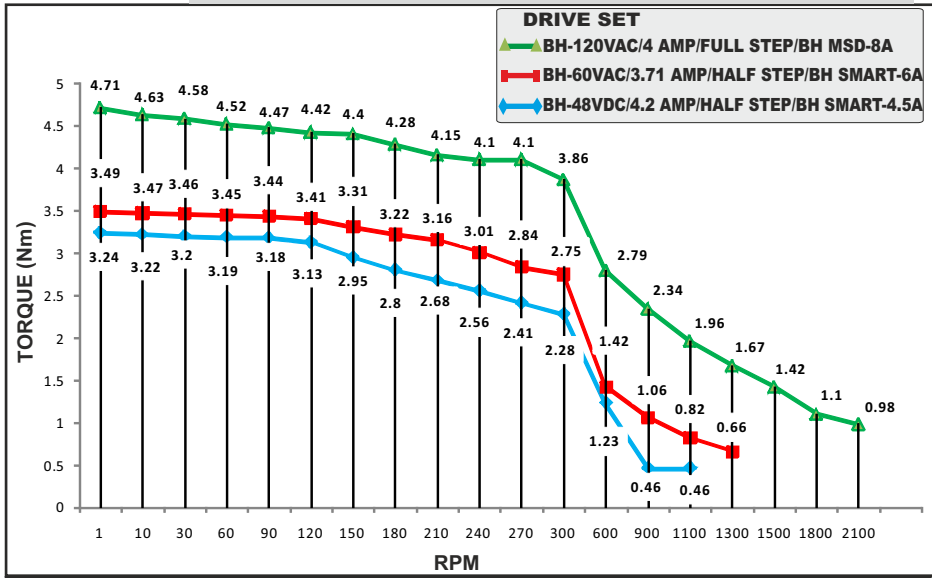


**Wiring Diagram**

SPECIFICATION BH86SH108 - 4104 AKS-FLP		
	MODEL	Bipolar
1	Rated Voltage	V
2	Current / Phase	A
3	Resistance / Phase	± 10% Ω
4	Inductance / Phase	± 20% mH
5	Holding Torque	Nm
6	Rotor Inertia	G-CM <sup>2</sup>
7	Weight	KG.
8	No of Lead	N <sup>0</sup>
9	Operating Voltage	VDC
10	Operating Voltage	VAC

**CHARACTERISTICS**

- Step Angle - 1.8°
- Step Angle Accuracy - ± 3 Arc Minute
- Insulation Class - H
- Ambient Temperature - - 20°C + 50°C
- Temperature Rise - 80°C Max. ( Rated Current Phase 2 ON )
- Insulation Resistance 100 M Ohms Min.500 VDC
- Dielectric Strength 820 VAC For One Minute
- Shaft Radial Play 0.02 Max. Play ( 450 G Load )
- Shaft Axial Play 0.08 Max. Play ( 450 G Load )
- Max.Radial Force 220 N ( 20MM From Front Flange )
- Max.Axial Force 60 N



**STEPPER MOTOR - BH86SH108-4104AKS-FLP**



**Bholanath Precision Engineering Pvt.Ltd.**

COMMITTED TO PRECISION

11,Kembros Ind.Estate , Sonapur Lane , Bhandup (W),Mumbai - 400078.

BHOLANATH COOL STEPPERS™

Telefax/Phone : 25662856/25664338/67993260 Email : support@bholanath.in  
Mobile No : 9920903825/9821671733/9930514603/9819515543/9323166582.