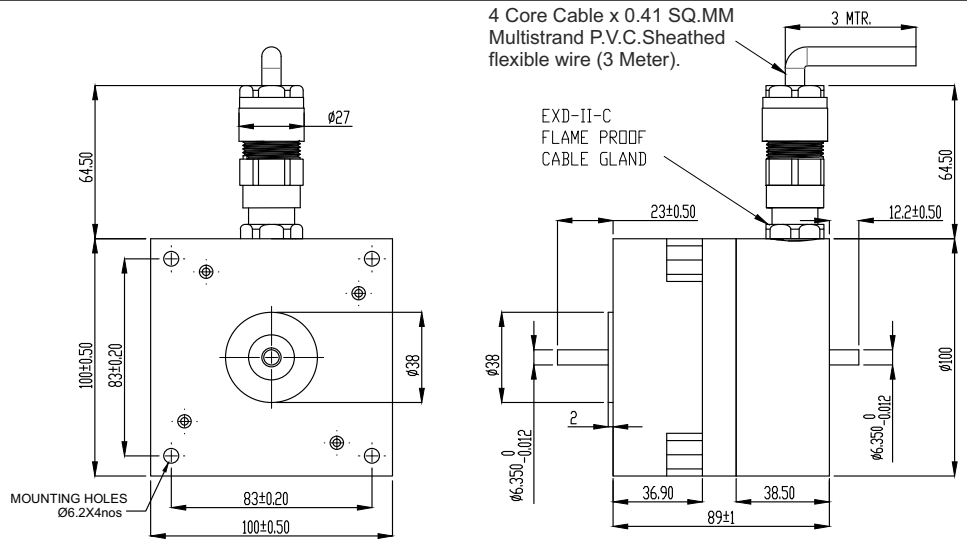
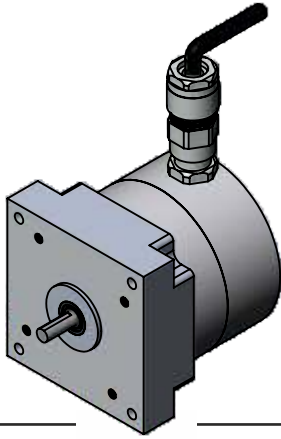


SPECIFICATION SHEET
Bholanath

STEPPER MOTOR
BH57SH89 - 2804 A - FLP
HIGH TORQUE HYBRID



Flame Proof Standard:-
CLASS :- 1, ZONE :- 1, Ex db (IIA/IIb/IIc) T6 Gb(-20°C ≤ Ta ≤ +50°C)
INGRESS PROTECTION:- IP 64



TECHNICAL DATA

CHARACTERISTICS

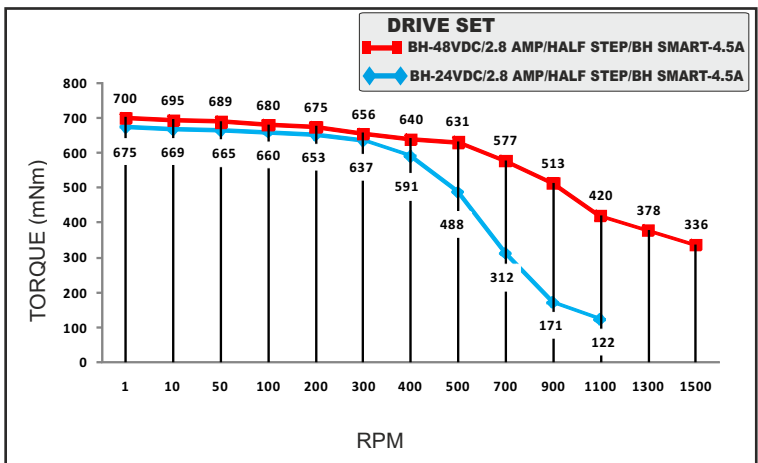
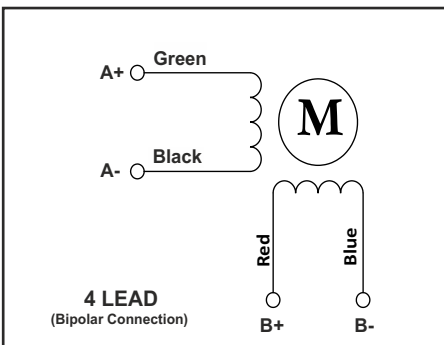
Step Angle - 1.8°
Step Angle Accuracy - ± 5%
Insulation Class - H
Protection Class - DIN 40050 - IP 64
Ambient Temperature - 20°C + 50°C
Temperature Rise - 80°C Max. (Rated Current Phase 2 ON)
Insulation Resistance 100 M Ohms Min.500 VDC
Dielectric Strength 500 VAC For One Minute
Shaft Radial Play 0.02 Max. Play (450 G Load)
Shaft Axial Play 0.08 Max. Play (450 G Load)
Max.Radial Force 28 N (20MM From Front Flange)
Max.Axial Force 10 N

SPECIFICATION

BH57SH89 - 2804 A - FLP

	MODEL	Bipolar	
1	Rated Voltage	V	2.8
2	Current / Phase	A	2.8
3	Resistance / Phase	± 10% Ω	1.01
4	Inductance / Phase	± 20% mH	2.5
5	Holding Torque	Nm	1.26
6	Rotor Inertia	G-CM ²	300
7	Weight	KG.	2.5 KG ± 0.1
8	No of Lead	N ⁰	4
9	Operating Voltage	VDC	24 - 48

Wiring Diagram



MOTOR MODEL - BH57SH89-2804A - FLP



Bholanath Precision Engineering Pvt.Ltd.

11,Kembros Ind.Estate , Sonapur Lane , Bhandup (W),Mumbai - 400078.
Telefax/Phone : 25662856/25664338/67993260 Email : support@bholanath.in
Mobile No : 9920903825/9821671733/9930514603/9819515543/9323166582.