

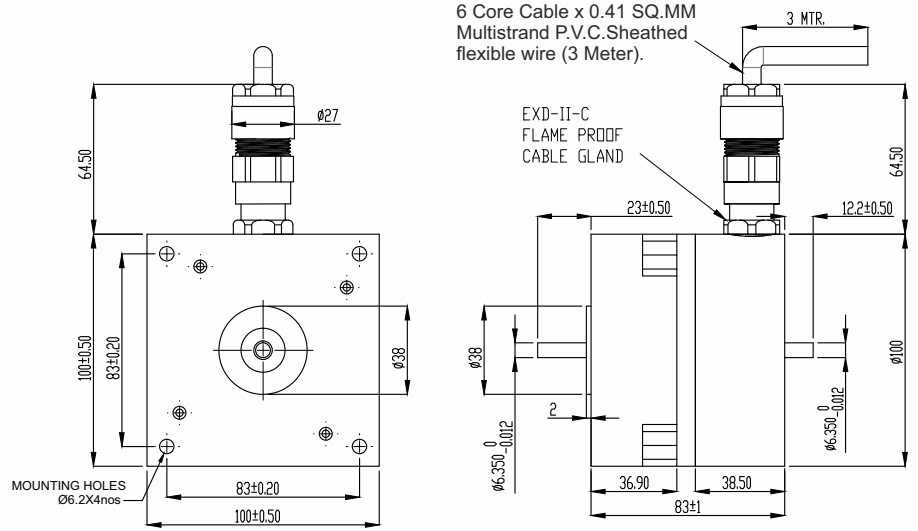
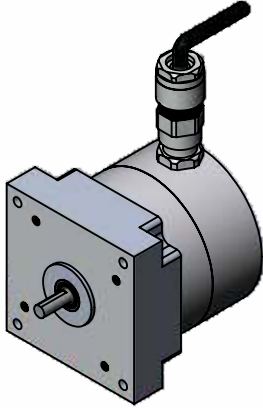
SPECIFICATION SHEET
Bholanath

STEPPER MOTOR
BH 57 SH 83-1006 A-FLP
HIGH TORQUE HYBRID



Flame Proof Standard:-

CLASS :- 1, ZONE :- 1, Ex db (IIA/IIb/IIc) T6 Gb(-20°C ≤ Ta ≤ +50°C)
INGRESS PROTECTION:- IP 64



TECHNICAL DATA

CHARACTERISTICS

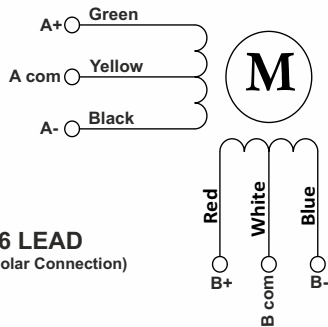
Step Angle - 1.8°
Step Angle Accuracy - ± 3 Arc Minute
Insulation Class - H
Ambient Temperature - - 20°C + 50°C
Temperature Rise - 80°C Max. (Rated Current Phase 2 ON)
Insulation Resistance 100 M Ohms Min.500 VDC
Dielectric Strength 500 VAC For One Minute
Shaft Radial Play 0.02 Max. Play (450 G Load)
Shaft Axial Play 0.08 Max. Play (450 G Load)
Max.Radial Force 75 N (20MM From Front Flange)
Max.Axial Force 15 N

SPECIFICATION

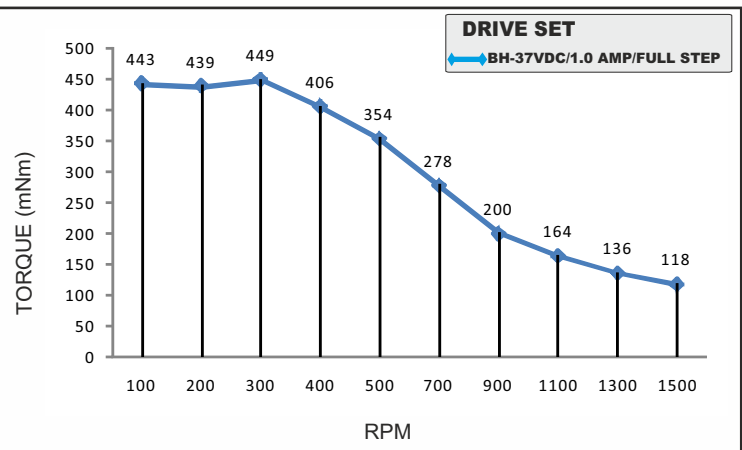
BH57SH83 - 1006 A-FLP

	MODEL	Unipolar	
1	Rated Voltage	V	6.6
2	Current / Phase	A	1
3	Resistance / Phase	± 10% Ω	6.6
4	Inductance / Phase	± 20% mH	6.1
5	Holding Torque	Nm	0.72
6	Rotor Inertia	G-CM ²	275
7	Weight	KG.	2.35 KG ± 0.1
8	No of Lead	N ⁰	6
9	Operating Voltage	VDC	18 - 37

Wiring Diagram



6 LEAD
(Unipolar Connection)



MOTOR MODEL - BH57SH83-1006A-FLP



Bholanath Precision Engineering Pvt.Ltd.

11,Kembros Ind.Estate , Sonapur Lane , Bhandup (W),Mumbai - 400078.
Telefax/Phone : 25662856/25664338/67993260 Email : support@bholanath.in
Mobile No : 9920903825/9821671733/9930514603/9819515543/9323166582.