

SPECIFICATION SHEET

Bholanath

STEPPER MOTOR

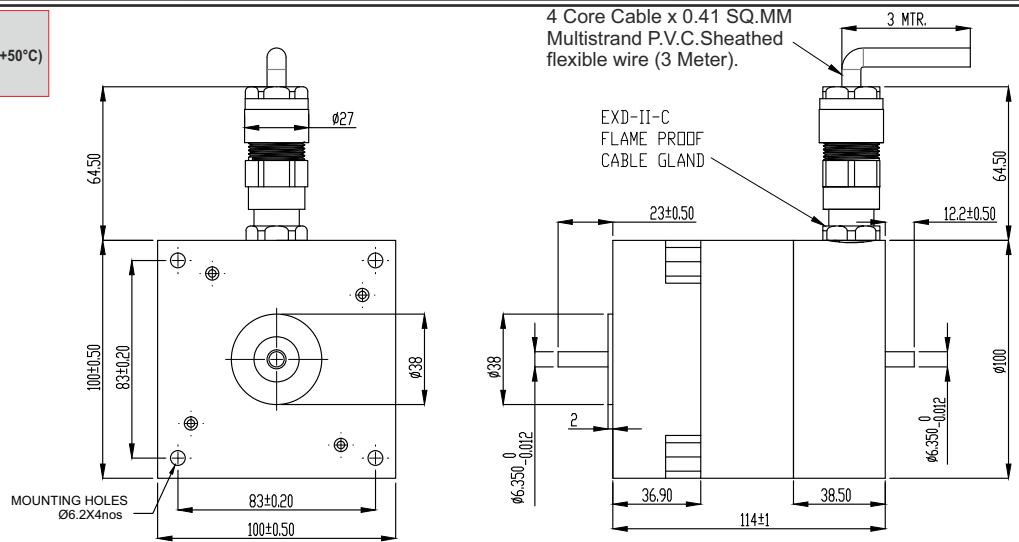
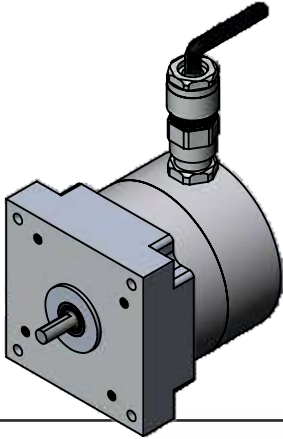
Bh57 SH 114 - 2804 A - FLP

HIGH TORQUE HYBRID



Flame Proof Standard:-

CLASS :- 1, ZONE :- 1, Ex db (IIA/IIB/IIC) T6 Gb (-20°C ≤ Ta ≤ +50°C)
INGRESS PROTECTION:- IP 64



TECHNICAL DATA

CHARACTERISTICS

Step Angle - 1.8°
Step Angle Accuracy - ± 3 Arc Minute
Insulation Class - H
Protection Class - DIN 40050 - IP 64
Ambient Temperature - 20°C + 50°C
Temperature Rise - 80°C Max. (Rated Current Phase 2 ON)
Insulation Resistance 100 M Ohms Min. 500 VDC
Dielectric Strength 500 VAC For One Minute
Shaft Radial Play 0.02 Max. Play (450 G Load)
Shaft Axial Play 0.08 Max. Play (450 G Load)
Max.Radial Force 28 N (20MM From Front Flange)
Max.Axial Force 10 N

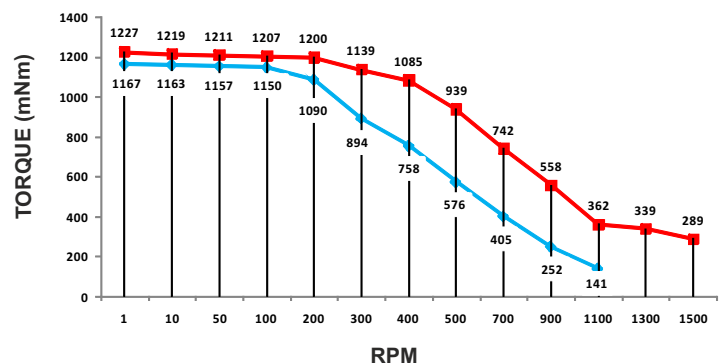
SPECIFICATION

BH57SH114 - 2804 A - FLP

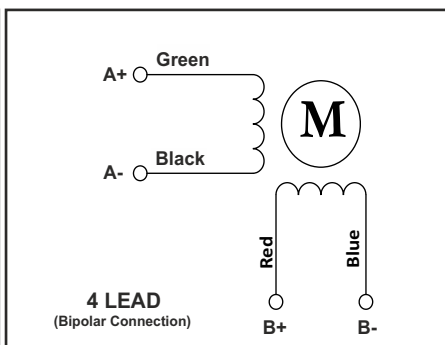
	MODEL	Bipolar
1	Rated Voltage	V
2	Current / Phase	A
3	Resistance / Phase	± 10% Ω
4	Inductance / Phase	± 20% mH
5	Holding Torque	Nm
6	Detent Torque	Nm
7	Rotor Inertia	G-CM ²
8	Weight	KG.
9	No of Lead	N ⁰
10	Operating Voltage	VDC

DRIVE SET

- BH-48VDC/2.8 AMP/HALF STEP/BH SMART-4.5A
- ◆ BH-24VDC/2.8 AMP/HALF STEP/BH SMART-4.5A



Wiring Diagram



MOTOR MODEL - BH57SH114-2804A - FLP



Bholanath Precision Engineering Pvt.Ltd.

11, Kembros Ind. Estate, Sonapur Lane, Bhandup (W), Mumbai - 400078.

Telefax/Phone : 25662856/25664338/67993260 Email : support@bholanath.in

Mobile No : 9920903825/9821671733/9930514603/9819515543/9323166582.