

SPECIFICATION SHEET

Bholanath

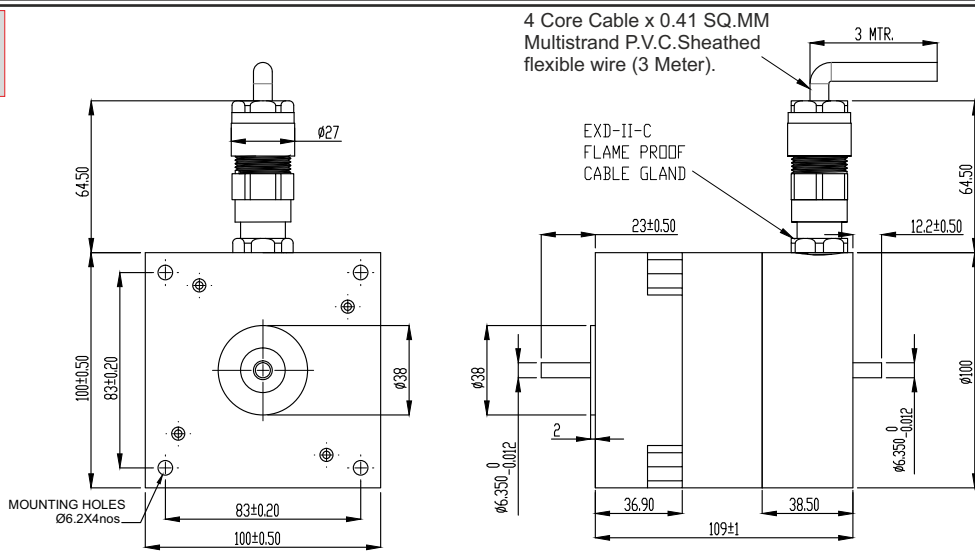
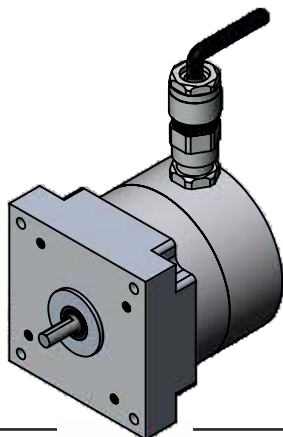
STEPPER MOTOR

BH 57 SH 109-2804 A - FLP

HIGH TORQUE HYBRID



Flame Proof Standard:-
 CLASS :- 1, ZONE :- 1, Ex db (IIA/IIb/IIc) T6 Gb (-20°C ≤ Ta ≤ +50°C)
 INGRESS PROTECTION:- IP 64



TECHNICAL DATA

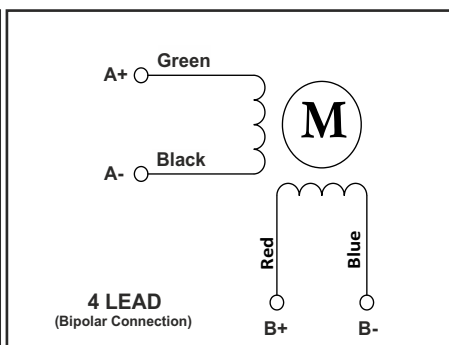
CHARACTERISTICS

Step Angle - 1.8°
Step Angle Accuracy - ± 3 Arc Minute
Insulation Class - H
Protection Class - DIN 40050 - IP 64
Ambient Temperature - 20°C + 50°C
Temperature Rise - 80°C Max. (Rated Current Phase 2 ON)
Insulation Resistance 100 M Ohms Min. 500 VDC
Dielectric Strength 500 VAC For One Minute
Shaft Radial Play 0.02 Max. Play (450 G Load)
Shaft Axial Play 0.08 Max. Play (450 G Load)
Max.Radial Force 28 N (20MM From Front Flange)
Max.Axial Force 10 N

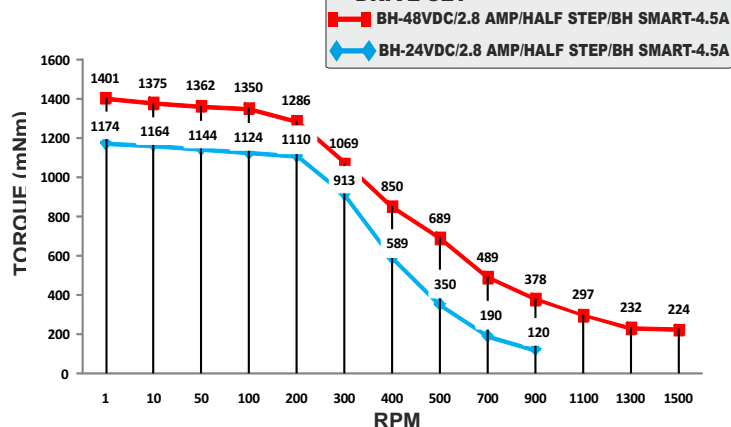
SPECIFICATION BH57SH109 - 2804 A - FLP

	MODEL	Bipolar
1	Rated Voltage	V 3.36
2	Current / Phase	A 2.8
3	Resistance / Phase	± 10% Ω 1.2
4	Inductance / Phase	± 20% mH 4.5
5	Holding Torque	Nm 1.89
6	Rotor Inertia	G-CM ² 480
7	Weight	KG. 3 KG ± 0.1
8	No of Lead	N ⁰ 4
9	Operating Voltage	VDC 24 - 48

Wiring Diagram



DRIVE SET



MOTOR MODEL - BH57SH109-2804A - FLP



Bholanath Precision Engineering Pvt.Ltd.

11, Kembros Ind.Estate, Sonapur Lane, Bhandup (W), Mumbai - 400078.
 Telefax/Phone : 25662856/25664338/67993260 Email : support@bholanath.in
 Mobile No : 9920903825/9821671733/9930514603/9819515543/9323166582.