

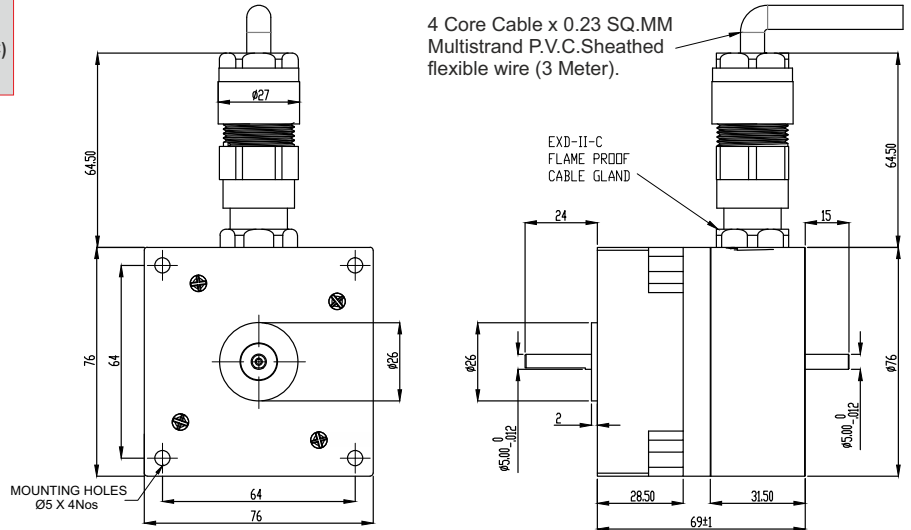
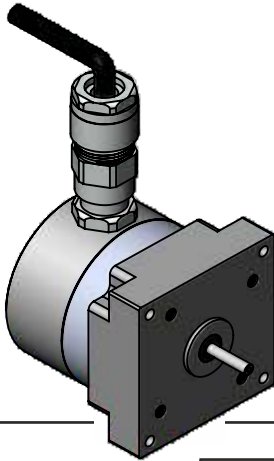
SPECIFICATION SHEET
Bholanath

STEPPER MOTOR
BH42 SH 69-1004 A - FLP
HIGH TORQUE HYBRID



Flame Proof Standard:-

CLASS :- 1, ZONE :- 1, Ex db (IIA/IIB/IIC) T6 Gb (-20°C ≤ Ta ≤ +50°C)
INGRESS PROTECTION:- IP 64



TECHNICAL DATA

CHARACTERISTICS

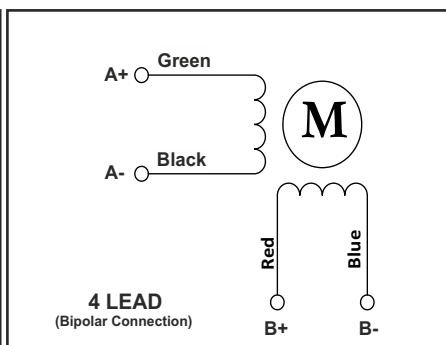
Step Angle - 1.8 ⁰
Step Angle Accuracy - ± 3 Arc Minute
Insulation Class - H
Protection Class - DIN 40050 - IP 64
Ambient Temperature - 20 ⁰ C + 50 ⁰ C
Temperature Rise - 80 ⁰ C Max. (Rated Current Phase 2 ON)
Insulation Resistance 100 M Ohms Min.500 VDC
Dielectric Strength 500 VAC For One Minute
Shaft Radial Play 0.02 Max. Play (450 G Load)
Shaft Axial Play 0.08 Max. Play (450 G Load)
Max.Radial Force 28 N (20MM From Front Flange)
Max.Axial Force 10 N

SPECIFICATION

BH42SH69 - 1004A - FLP

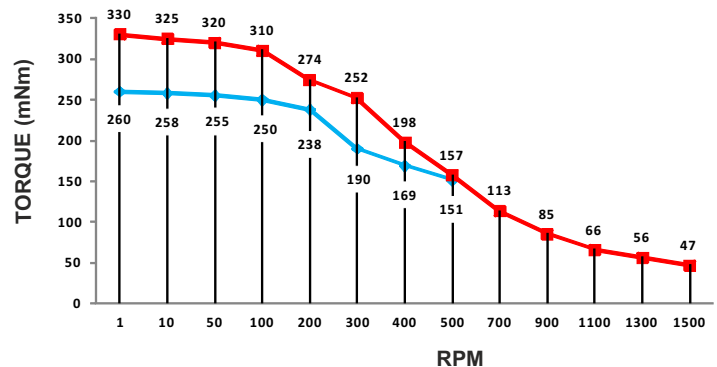
MODEL	Bipolar		
1	Rated Voltage	V	7.8
2	Current / Phase	A	1
3	Resistance / Phase	± 10% Ω	7.8
4	Inductance / Phase	± 20% mH	9.5
5	Holding Torque	Nm	0.42
6	Rotor Inertia	G-CM ²	68
7	Weight	KG.	1.3 KG ± 0.1
8	No of Lead	N ⁰	4
9	Operating Voltage	VDC	12 - 24

Wiring Diagram



DRIVE SET

— BH-24VDC/1.0 AMP/FULL STEP/BH SMART-2A
— BH-12VDC/1.0 AMP/FULL STEP/BH SMART-2A



MOTOR MODEL - Bh42 SH69-1004A - FLP



Bholanath Precision Engineering Pvt.Ltd.

11,Kembros Ind.Estate , Sonapur Lane , Bhandup (W),Mumbai - 400078.

Telefax/Phone : 25662856/25664338/67993260 Email : support@bholanath.in

Mobile No : 9920903825/9821671733/9930514603/9819515543/9323166582.