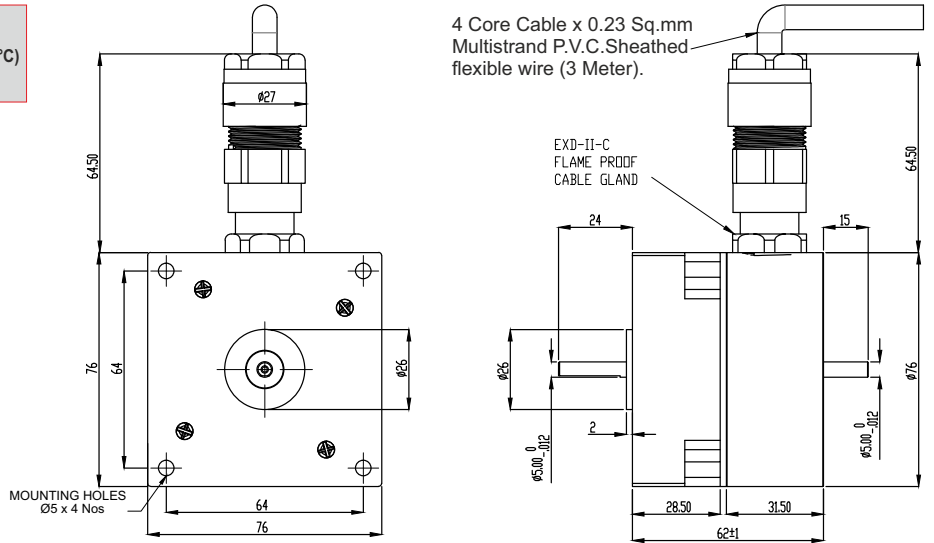
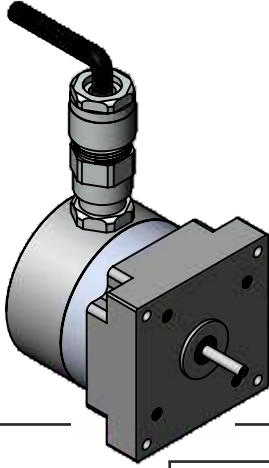


SPECIFICATION SHEET
Bholanath

STEPPER MOTOR
BH42 SH 62 - 1704 A-FLP
HIGH TORQUE HYBRID



Flame Proof Standard:-
CLASS :- 1 , ZONE :- 1 , Ex db (IIA/IIB/IIC) T6 Gb(-20°C ≤ Ta ≤ +50°C)
INGRESS PROTECTION:- IP 64



TECHNICAL DATA

CHARACTERISTICS

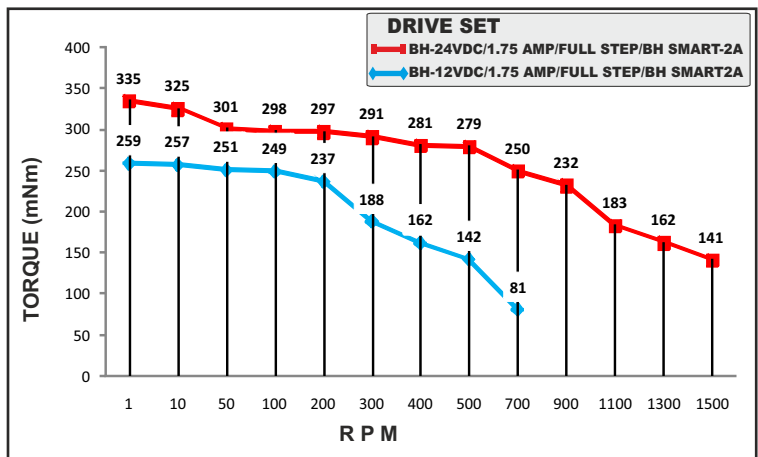
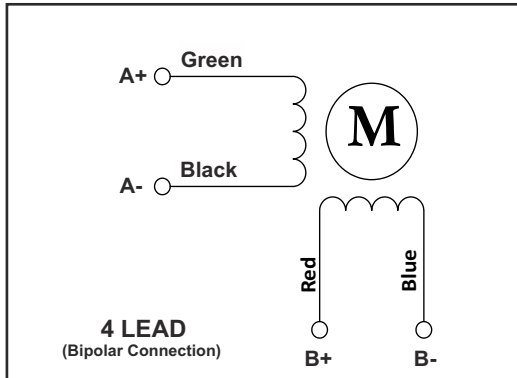
Step Angle - 1.8°
Step Angle Accuracy - ± 3 Arc Minute
Insulation Class - H
Ambient Temperature - - 20°C + 50°C
Temperature Rise - 80°C Max. (Rated Current Phase 2 ON)
Insulation Resistance 100 M Ohms Min.500 VDC
Dielectric Strength 500 VAC For One Minute
Shaft Radial Play 0.02 Max. Play (450 G Load)
Shaft Axial Play 0.08 Max. Play (450 G Load)
Max.Radial Force 28 N (20MM From Front Flange)
Max.Axial Force 10 N

SPECIFICATION

BH42SH62 -1704A-FLP

MODEL	Bipolar	
1 Rated Voltage	V	2.7
2 Current / Phase	A	1.7
3 Resistance / Phase	± 10% Ω	1.6
4 Inductance / Phase	± 20% mH	2.3
5 Holding Torque	Nm	0.45
6 Rotor Inertia	G-CM ²	68
7 Weight	KG.	1.3 KG ± 0.1
8 No of Lead	N ⁰	4
9 Operating Voltage	VDC	12 - 24

Wiring Diagram



MOTOR MODEL - BH42SH62-1704A-FLP



Bholanath Precision Engineering Pvt.Ltd.

11,Kembros Ind.Estate , Sonapur Lane , Bhandup (W),Mumbai - 400078.
Telefax/Phone : 25662856/25664338/67993260 Email : support@bholanath.in
Mobile No : 9920903825/9821671733/9930514603/9819515543/9323166582.