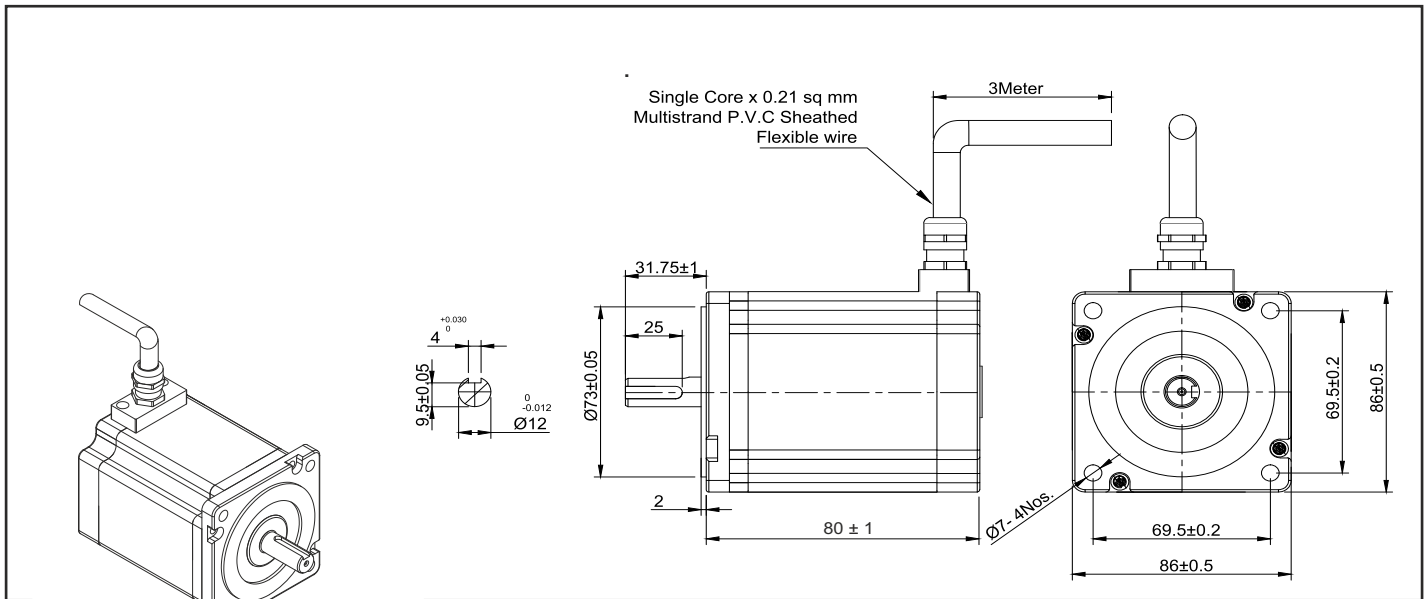
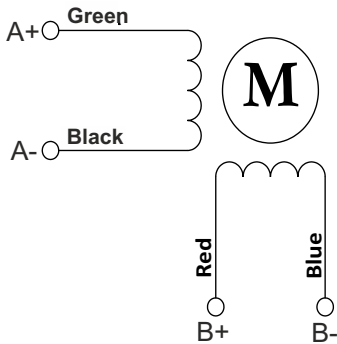


**SPECIFICATION SHEET**  
**Bholanath**

**STEPPER MOTOR**  
**BH86 SH 80 - 2004AKS-CE**  
**HIGH TORQUE HYBRID**



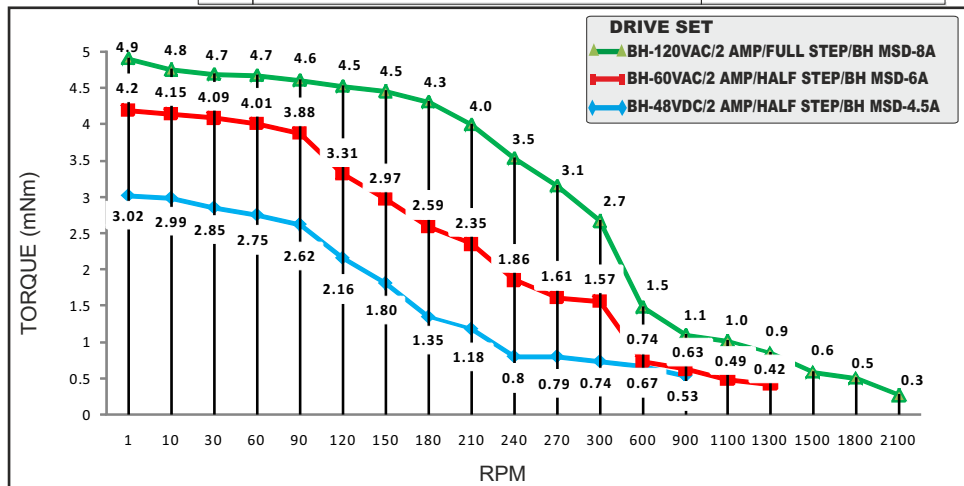
**TECHNICAL DATA**



Wiring Diagram

SPECIFICATION BH86SH80 - 2004 AKS-CE			
	MODEL	Bipolar	
1	Rated Voltage	V	7.96
2	Current / Phase	A	2
3	Resistance / Phase	± 10% Ω	3.98
4	Inductance / Phase	± 20% mH	41.6
5	Holding Torque	Nm	5.09
6	Rotor Inertia	G-CM <sup>2</sup>	1400
7	Weight	KG.	2.5
8	No of Lead	N <sup>0</sup>	4
9	Operating Voltage	VDC	48 - 170
9	Operating Voltage	VAC	34 - 120

CHARACTERISTICS
Step Angle - 1.8 <sup>0</sup>
Step Angle Accuracy - ± 3 Arc Minute
Insulation Class - H
Ambient Temperature - - 20 <sup>0</sup> C + 50 <sup>0</sup> C
Temperature Rise - 80 <sup>0</sup> C Max. ( Rated Current Phase 2 ON )
Insulation Resistance 100 M Ohms Min.500 VDC
Dielectric Strength 820 VAC For One Minute
Shaft Radial Play 0.02 Max. Play ( 450 G Load )
Shaft Axial Play 0.08 Max. Play ( 450 G Load )
Max.Radial Force 220 N ( 20MM From Front Flange )
Max.Axial Force 60 N



STEPPER MOTOR -BH86SH80-2004AKS-CE



**Bholanath Precision Engineering Pvt.Ltd.**

11,Kembros Ind.Estate , Sonapur Lane , Bhandup (W),Mumbai - 400078.  
Telefax/Phone : 25662856/25664338/67993260 Email : support@bholanath.in  
Mobile No : 9920903825/9821671733/9930514603/9819515543/9323166582.