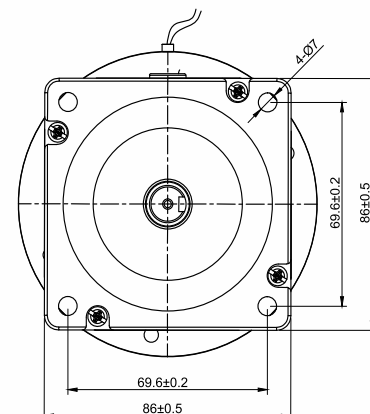
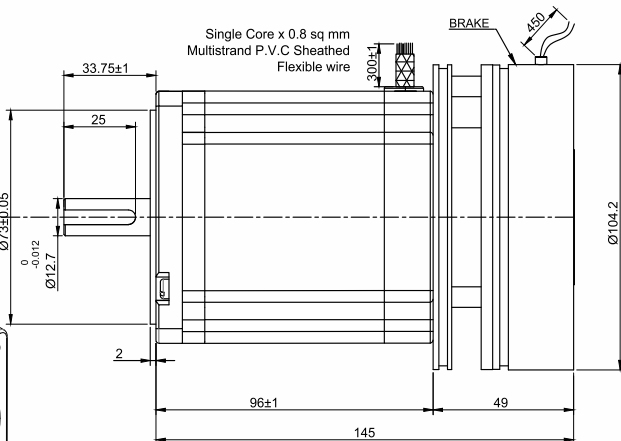
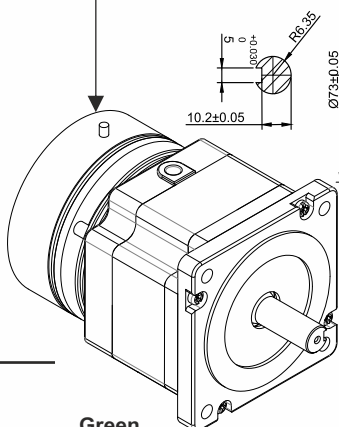


SPECIFICATION SHEET
Bholanath

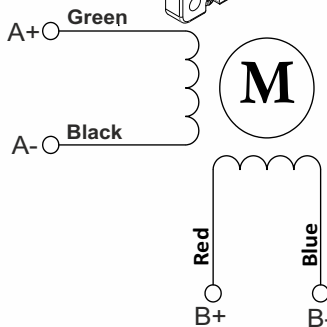
STEPPER MOTOR
BH86 SH 96 - 4004BRK
HIGH TORQUE HYBRID



BRAKE DETAILS :
Torque : 10 Nm
Voltage : 24 V
Current at 20°C - 0.83 Amps
Power Consumption at 20°C : 19.8 Watts



TECHNICAL DATA

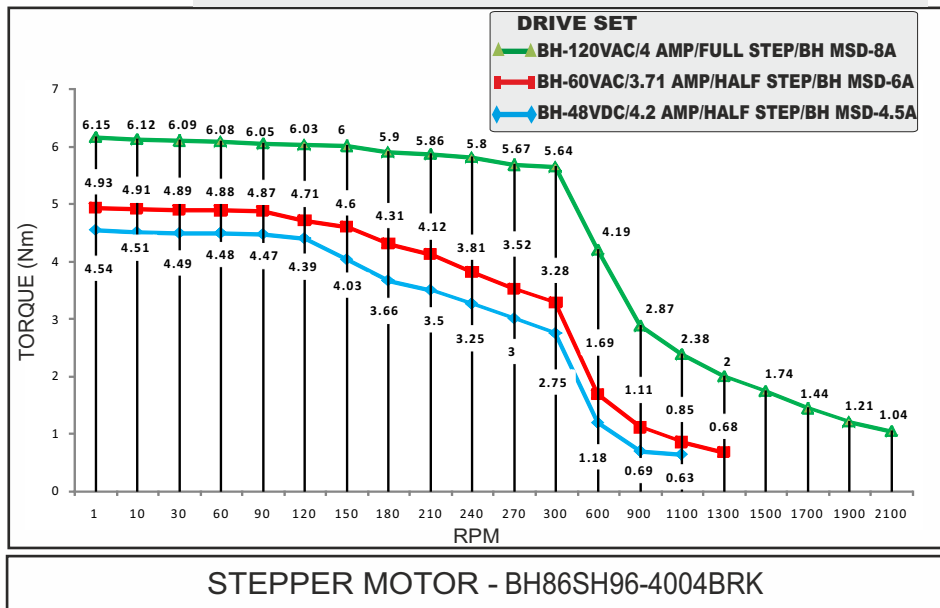


Wiring Diagram

SPECIFICATION		BH86SH96 - 4004 BRK	
MODEL		Bipolar	
1	Rated Voltage	V	3.8
2	Current / Phase	A	4
3	Resistance / Phase	± 10% Ω	0.95
4	Inductance / Phase	± 20% mH	6.8
5	Holding Torque	Nm	6.8
6	Rotor Inertia	G-CM ²	2700
7	Weight	KG.	5.2
8	No of Lead	N ^o	4
9	Operating Voltage	VDC	48 - 170
10	Operating Voltage	VAC	34 - 120

CHARACTERISTICS

Step Angle - 1.8°
Step Angle Accuracy - ± 3 Arc Minute
Insulation Class - H
Ambient Temperature - - 20°C + 50°C
Temperature Rise - 80°C Max. (Rated Current Phase 2 ON)
Insulation Resistance 100 M Ohms Min.500 VDC
Dielectric Strength 820 VAC For One Minute
Shaft Radial Play 0.02 Max. Play (450 G Load)
Shaft Axial Play 0.08 Max. Play (450 G Load)
Max.Radial Force 220 N (20MM From Front Flange)
Max.Axial Force 60 N



Bholanath Precision Engineering Pvt.Ltd.

11,Kembros Ind.Estate , Sonapur Lane , Bhandup (W),Mumbai - 400078.
Telefax/Phone : 25662856/25664338/67993260 Email : support@bholanath.in
Mobile No : 9920903825/9821671733/9930514603/9819515543/9323166582.