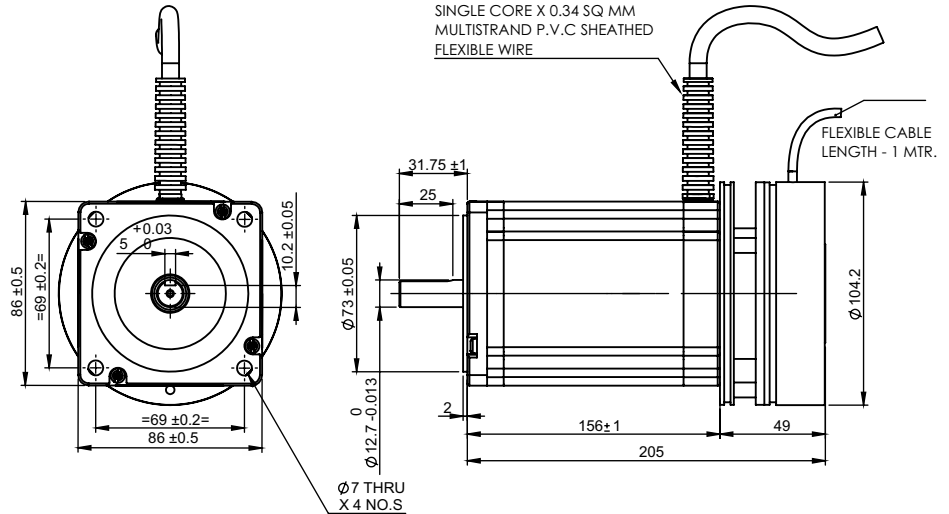


SPECIFICATION SHEET
Bholanath

STEPPER MOTOR
BH86 SH 156 - 6004BRK
HIGH TORQUE HYBRID

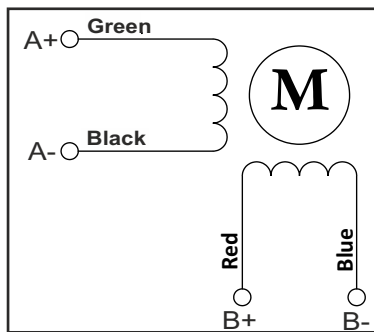


BRAKE DETAILS :
Torque : 10 Nm
Voltage : 24 V
Current at 20°C - 1.3 Amps
Power Consumption at 20°C : 25 Watts



TECHNICAL DATA

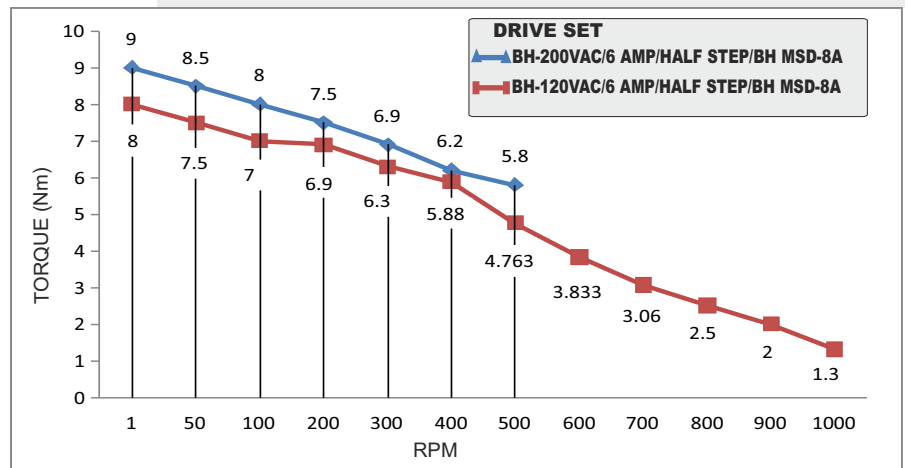
Wiring Diagram



SPECIFICATION		BH 86SH 156 - 6004 BRK	
MODEL		Bipolar	
1	Rated Voltage	V	4.8
2	Current / Phase	A	6
3	Resistance / Phase	± 10% Ω	0.8
4	Inductance / Phase	± 20% mH	7.02
5	Holding Torque	Nm	12.8
6	Rotor Inertia	G-CM ²	4000
7	Weight	KG.	5.5
8	No of Lead	N ⁰	4
9	Operating Voltage	VDC	48 - 170

CHARACTERISTICS

- Step Angle - 1.8°
- Step Angle Accuracy - ± 3 Arc Minute
- Insulation Class - H
- Ambient Temperature - - 20°C + 50°C
- Temperature Rise - 80°C Max. (Rated Current Phase 2 ON)
- Insulation Resistance 100 M Ohms Min.500 VDC
- Dielectric Strength 820 VAC For One Minute
- Shaft Radial Play 0.02 Max. Play (450 G Load)
- Shaft Axial Play 0.08 Max. Play (450 G Load)
- Max.Radial Force 220 N (20MM From Front Flange)
- Max.Axial Force 60 N



STEPPER MOTOR - BH86SH156-6004BRK



Bholanath Precision Engineering Pvt.Ltd.

11,Kembros Ind.Estate , Sonapur Lane , Bhandup (W),Mumbai - 400078.
Telefax/Phone : 25662856/25664338/67993260 Email : support@bholanath.in
Mobile No : 9920903825/9821671733/9930514603/9819515543/9323166582.