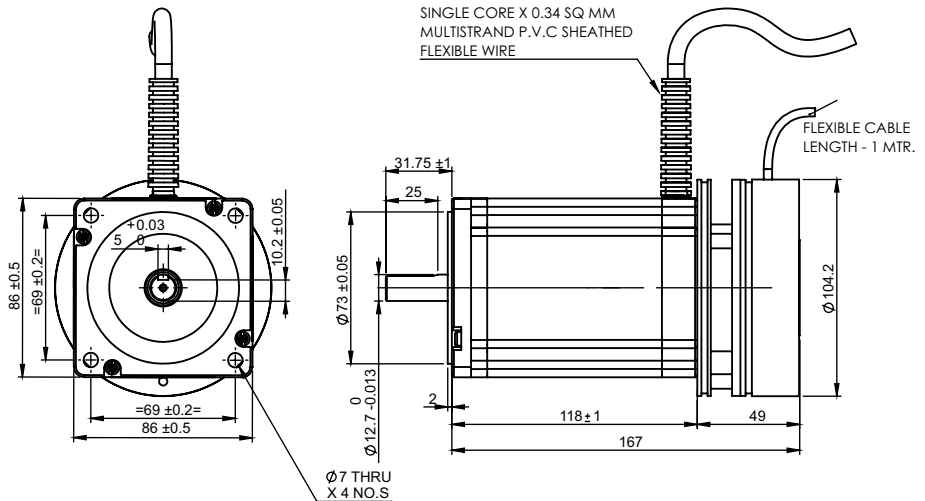


**SPECIFICATION SHEET**  
**Bholanath**

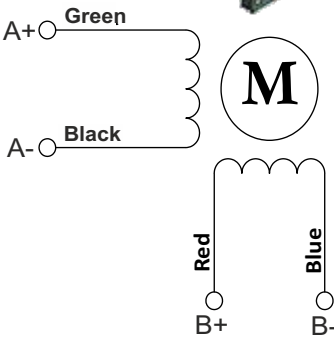
**STEPPER MOTOR**  
**BH86 SH 118 - 6004BRK**  
**HIGH TORQUE HYBRID**



**BRAKE DETAILS :**  
Torque : 10 Nm  
Voltage : 24 V  
Current at 20°C - 1.3 Amps  
Power Consumption at 20°C : 25 Watts



**TECHNICAL DATA**

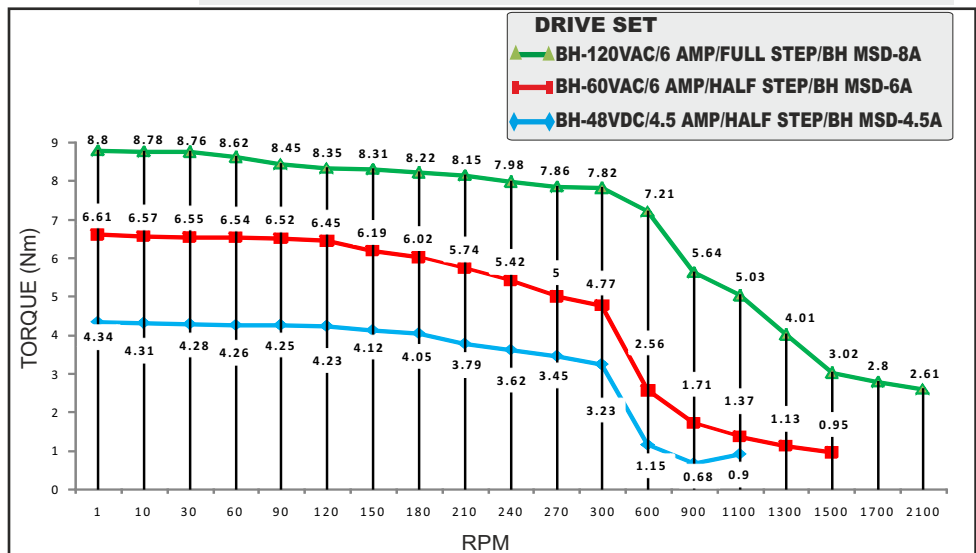


Wiring Diagram

SPECIFICATION		BH 86SH 118 - 6004 BRK	
MODEL		Bipolar	
1	Rated Voltage	V	2.52
2	Current / Phase	A	6
3	Resistance / Phase	± 10% Ω	0.42
4	Inductance / Phase	± 20% mH	4.25
5	Holding Torque	Nm	8.70
6	Rotor Inertia	G-CM <sup>2</sup>	2700
7	Weight	KG.	4
8	No of Lead	N <sup>0</sup>	4
9	Operating Voltage	VDC	48 - 170
10	Operating Voltage	VAC	34 - 120

**CHARACTERISTICS**

- Step Angle - 1.8°
- Step Angle Accuracy - ± 3 Arc Minute
- Insulation Class - H
- Ambient Temperature -
- Temperature Rise - 80°C Max ( Rated Current Phase 2 ON ) -20°C + 50°C
- Insulation Resistance 100 M Ohms Min.500 VDC
- Dielectric Strength 820 VAC For One Minute
- Shaft Radial Play 0.02 Max. Play ( 450 G Load )
- Shaft Axial Play 0.08 Max. Play ( 450 G Load )
- Max.Radial Force 220 N ( 20MM From Front Flange )
- Max.Axial Force 60 N



STEPPER MOTOR - BH86SH118- 6004 BRK



**Bholanath Precision Engineering Pvt.Ltd.**

11,Kembros Ind.Estate , Sonapur Lane , Bhandup (W),Mumbai - 400078.

Telefax/Phone : 25662856/25664338/67993260 Email : support@bholanath.in

Mobile No : 9920903825/9821671733/9930514603/9819515543/9323166582.

BHOLANATH COOL STEPPERS™