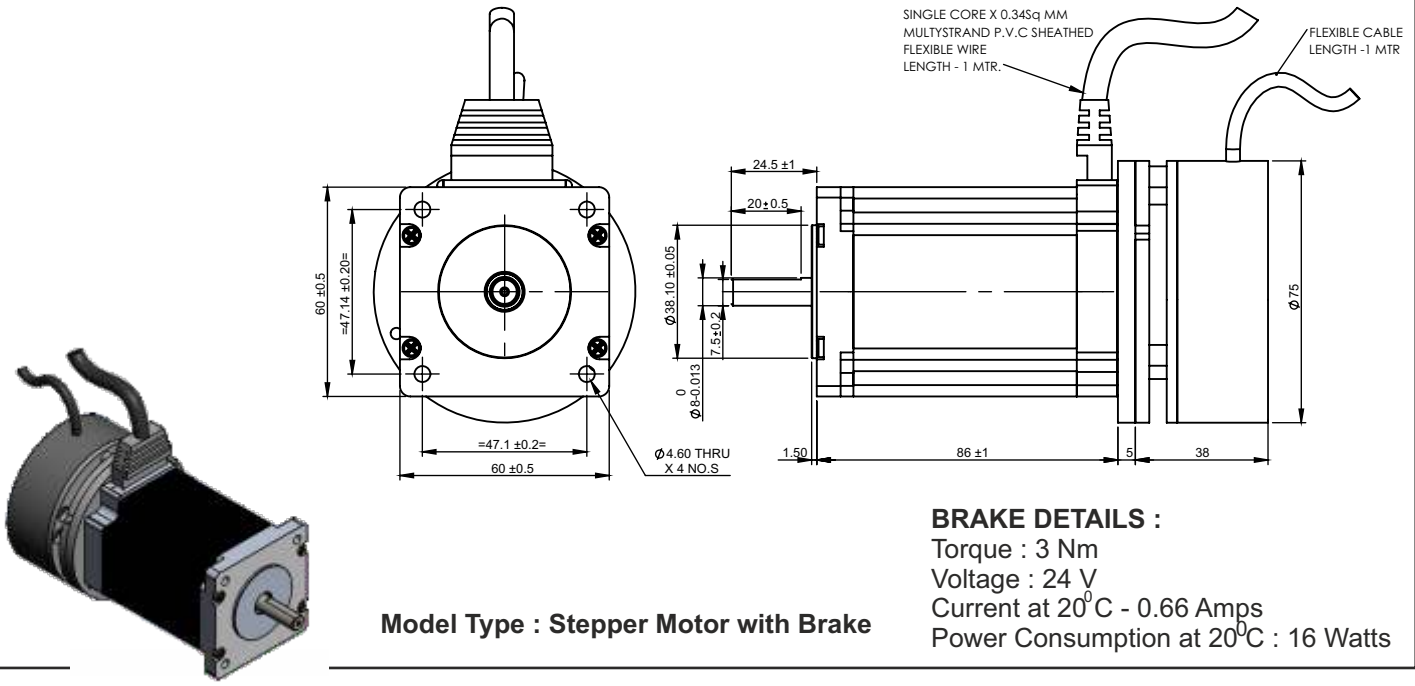


SPECIFICATION SHEET
Bholanath

STEPPER MOTOR
BH60 SH 86 - 2804 BRK
HIGH TORQUE HYBRID



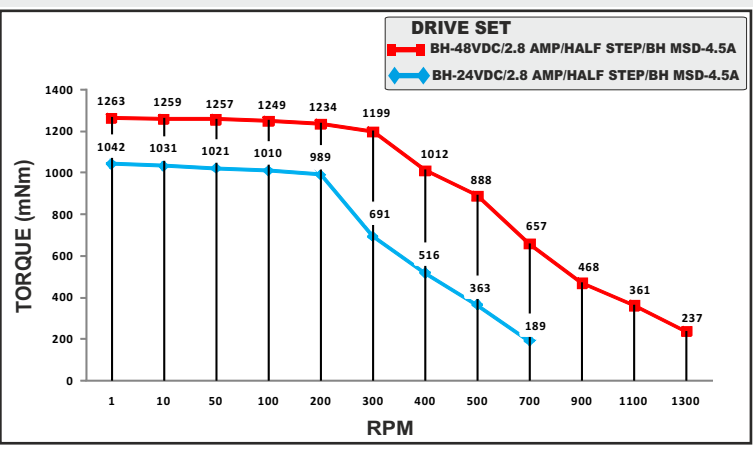
BRAKE DETAILS :
Torque : 3 Nm
Voltage : 24 V
Current at 20°C - 0.66 Amps
Power Consumption at 20°C : 16 Watts

Model Type : Stepper Motor with Brake

TECHNICAL DATA

CHARACTERISTICS
Step Angle - 1.8°
Step Angle Accuracy - ± 3 Arc Minute
Insulation Class - H
Ambient Temperature - (- 20°C to + 50°C)
Temperature Rise - 80°C Max. (Rated Current Phase 2 ON)
Insulation Resistance 100 M Ohms Min.500 VDC
Dielectric Strength 500 VAC For One Minute
Shaft Radial Play 0.02 Max. Play (450 G Load)
Shaft Axial Play 0.08 Max. Play (450 G Load)
Max.Radial Force 75 N (20MM From Front Flange)
Max.Axial Force 15 N

SPECIFICATION	BH 60 SH 86- 2804 BRK	
MODEL		Bipolar
1 Rated Voltage	V	4.76
2 Current / Phase	A	2.8
3 Resistance / Phase	± 10% Ω	1.6
4 Inductance / Phase	± 20% mH	6.5
5 Holding Torque	Nm	3.1
6 Rotor Inertia	G-CM ²	840
7 Weight	KG.	2.05
8 No of Lead	N ^o	4
9 Operating Voltage	VDC	24 - 42



Revision-02, Dated:- 26/04/2017



Bholanath Precision Engineering Pvt.Ltd.

11, Kembros Ind.Estate , Sonapur Lane , Bhandup (W), Mumbai - 400078.
 Telefax/Phone : 25662856/25664338/67993260 Email : support@bholanath.in
 Mobile No : 9920903825/9821671733/9930514603/9819515543/9323166582.