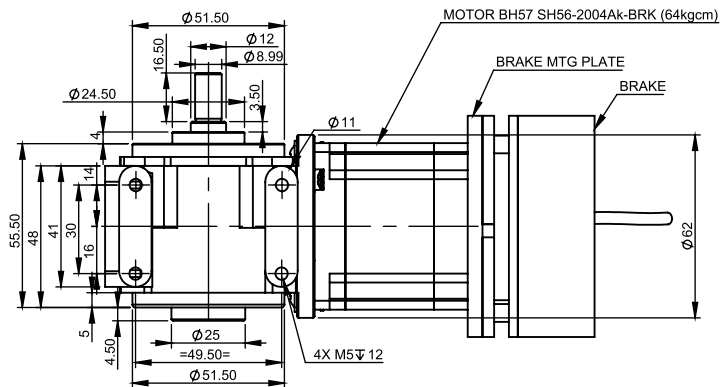
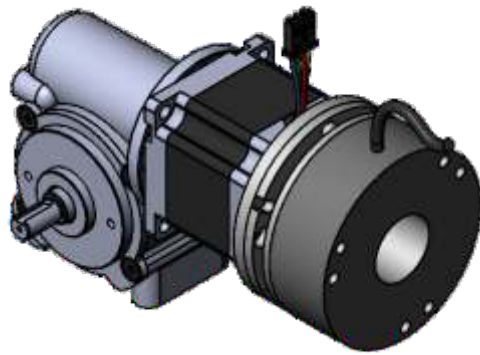
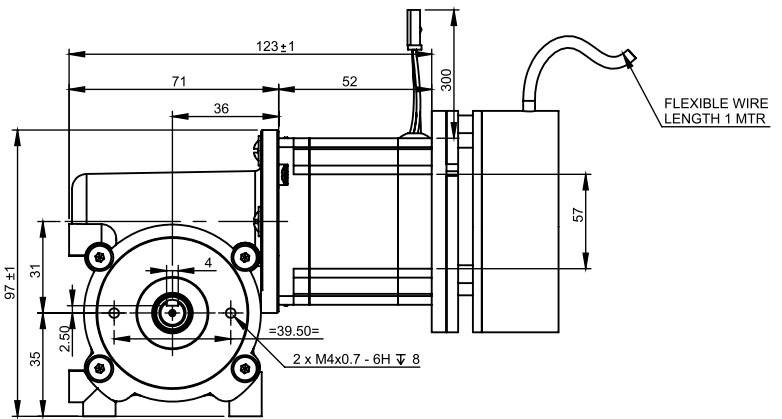
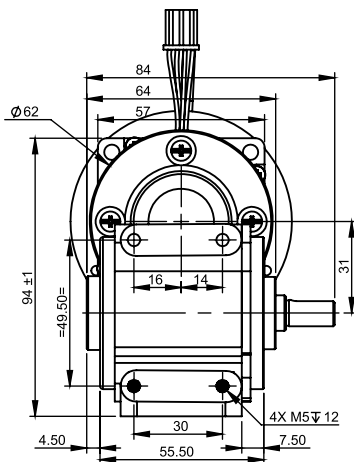


SPECIFICATION SHEET
Bholanath

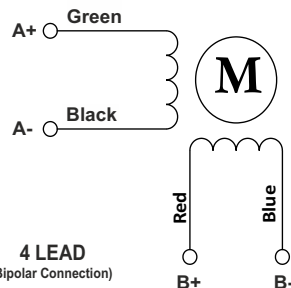
STEPPER MOTOR
BH57 SH 52 - 2004 AK- BRK
HIGH TORQUE HYBRID



CHARACTERISTICS

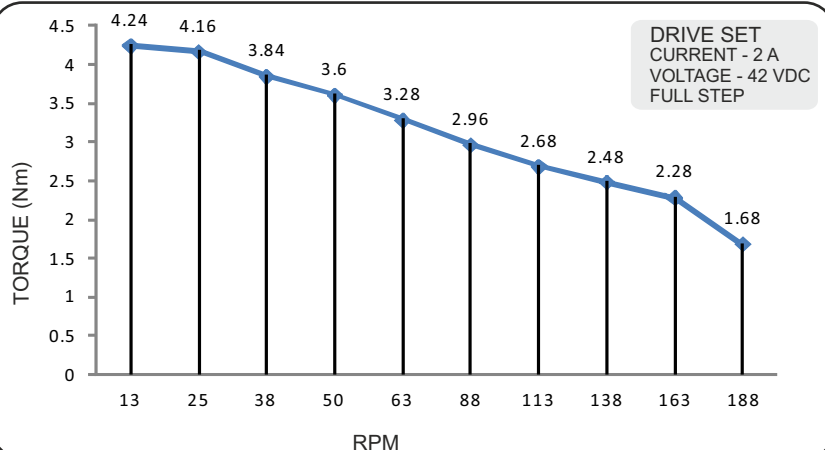
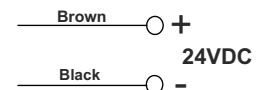
Motor - Bipolar
Steps per Revolution - 200
Step Angle - 1.8 degree
Motor Step Angle Accuracy- ± 3 Arc Minute
Dimensions - Refer drawing
Total Weight - 1.80 Kg
Insulation Class - Class H
Protection Class - DIN40050 - Ip30
Resistance of Insulation - 100M Ω
Resistance per phase - 0.85 / 0.86Ω
Inductance per phase - 2.22 / 2.14 mH
Normal current per phase - 2 Amp
Operating Voltage - 42 to 48 VDC
Stock Temperature - 10° C To 40° C
Operation Temperature -10° C To 40° C
Holding Torque for Motor - 0.8 Nm
Holding Torque with gear Box - 6.4 Nm (64KgcM)
Shaft Radial Play - 0.02 MMMax(450 G Load)
Shaft Axial Play - 0.08 MMMax(450 G Load)
Gear Box Ratio - 8:1
Backlash ≤ 0.8 Degree
Rotor Inertia of Motor - 273.13 GM-CM ²
Rotor Inertia of Gearbox - 137.75 GM-CM ²

Wiring Diagram



BRAKE DETAILS :

Torque : 3 Nm
Voltage : 24 V
Current at 20°C - 0.66 Amps
Power Consumption at 20°C : 16 Watts



GEAR BOX STEPPER MOTOR - BH57SH52-2004AK- BRK