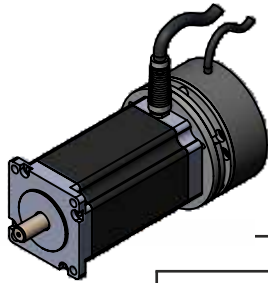
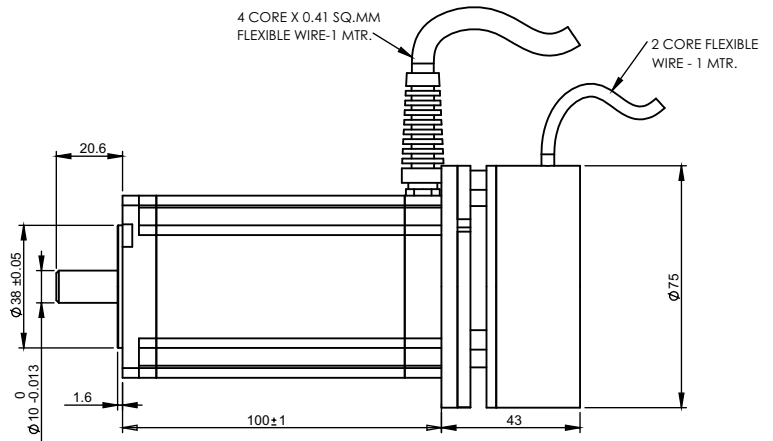
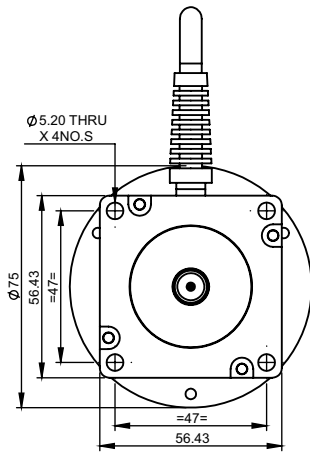


**SPECIFICATION SHEET**  
**Bholanath**

**STEPPER MOTOR**  
**BH 57 SH 100 - 3004 BRK**  
**HIGH TORQUE HYBRID**



Model Type : Stepper Motor with Brake

**BRAKE DETAILS :**

Torque : 3 Nm  
Voltage : 24 V  
Current at 20°C - 0.66 Amps  
Power Consumption at 20°C : 16 Watts

**TECHNICAL DATA**

**CHARACTERISTICS**

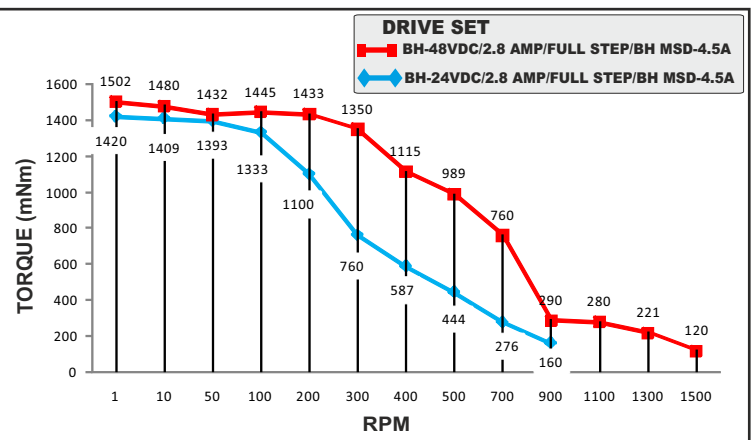
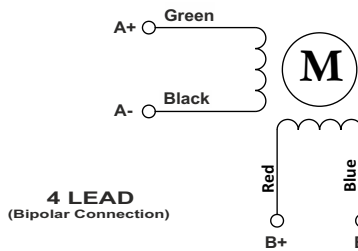
- Step Angle - 1.8°
- Step Angle Accuracy - ± 3 Arc Minute
- Insulation Class - H
- Ambient Temperature - (- 20°C to + 50°C)
- Temperature Rise - 80°C Max. ( Rated Current Phase 2 ON )
- Insulation Resistance 100 M Ohms Min.500 VDC
- Dielectric Strength 500 VAC For One Minute
- Shaft Radial Play 0.02 Max. Play ( 450 G Load )
- Shaft Axial Play 0.08 Max. Play ( 450 G Load )
- Max.Radial Force 75 N ( 20MM From Front Flange )
- Max.Axial Force 15 N

**SPECIFICATION**

**BH 57 SH 100- 3004 BRK**

MODEL		Bipolar
1	Rated Voltage	4.65
2	Current / Phase	3
3	Resistance / Phase	± 10% Ω 1.55
4	Inductance / Phase	± 20% mH 6.75
5	Holding Torque	Nm 2.5
6	Rotor Inertia	G-CM <sup>2</sup> 600
7	Weight	KG. 2.05
8	No of Lead	N° 4
9	Operating Voltage	VDC 24 - 42

**Wiring Diagram**



**Bholanath Precision Engineering Pvt.Ltd.**

11,Kembros Ind.Estate , Sonapur Lane , Bhandup (W),Mumbai - 400078.  
Telefax/Phone : 25662856/25664338/67993260 Email : support@bholanath.in  
Mobile No : 9920903825/9821671733/9930514603/9819515543/9323166582.