

SPECIFICATION SHEET

Bholanath

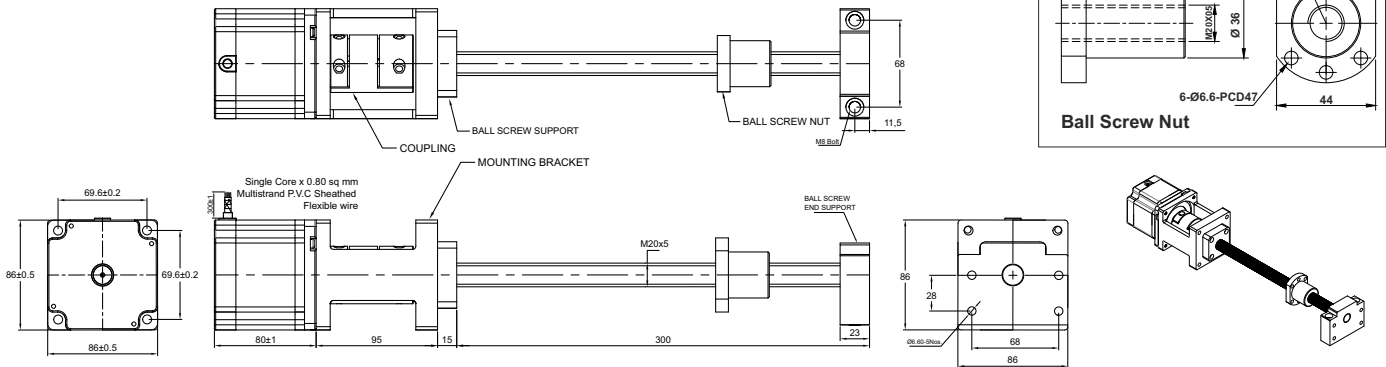
STEPPER MOTOR

BH86 SH 80 - 5504LA-BS(M20X05)

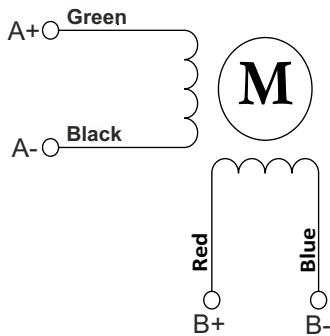
HIGH TORQUE HYBRID



Standard Lead Length: 300mm
Available Lead Length: 600,1000mm



TECHNICAL DATA

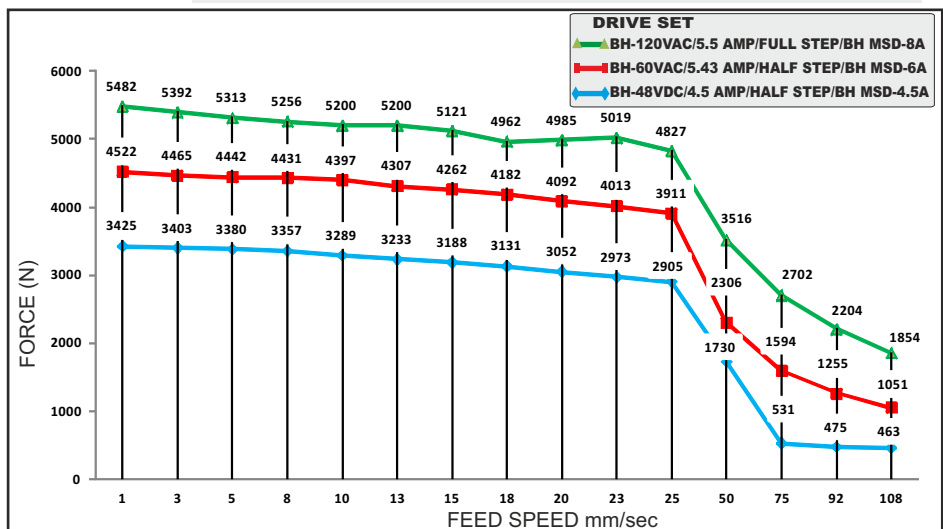


Wiring Diagram

SPECIFICATION BH86SH80 - 5504 LA-BS (M20X05)			
	MODEL		Bipolar
1	Rated Voltage	V	2.42
2	Current / Phase	A	5.5
3	Resistance / Phase	$\pm 10\% \Omega$	0.44
4	Inductance / Phase	$\pm 20\% \text{mH}$	3.6
5	Holding Torque	Nm	4.6
6	Rotor Inertia	G-CM ²	1400
7	Weight	KG.	2.5
8	No of Lead	N ⁰	4
9	Operating Voltage	VDC	48 - 170
10	Operating Voltage	VAC	34 - 120

CHARACTERISTICS

- Step Angle - 1.8°
- Step Angle Accuracy - ± 3 Arc Minute
- Insulation Class - H
- Ambient Temperature - $-20^{\circ}\text{C} + 50^{\circ}\text{C}$
- Temperature Rise - 80°C Max.
(Rated Current Phase 2 ON)
- Insulation Resistance
100 M Ohms Min.500 VDC
- Dielectric Strength
820 VAC For One Minute
- Shaft Radial Play
0.02 Max. Play (450 G Load)
- Shaft Axial Play
0.08 Max. Play (450 G Load)
- Max.Radial Force
220 N (20MM From Front Flange)



STEPPER MOTOR - BH86SH80-5504LA-BS(M20X05)



Bholanath Precision Engineering Pvt.Ltd.

11,Kembros Ind.Estate , Sonapur Lane , Bhandup (W),Mumbai - 400078.

Telefax/Phone : 25662856/25664338/67993260 Email : support@bholanath.in

Mobile No : 9920903825/9821671733/9930514603/9819515543/9323166582.