

# SPECIFICATION SHEET

## Bholanath

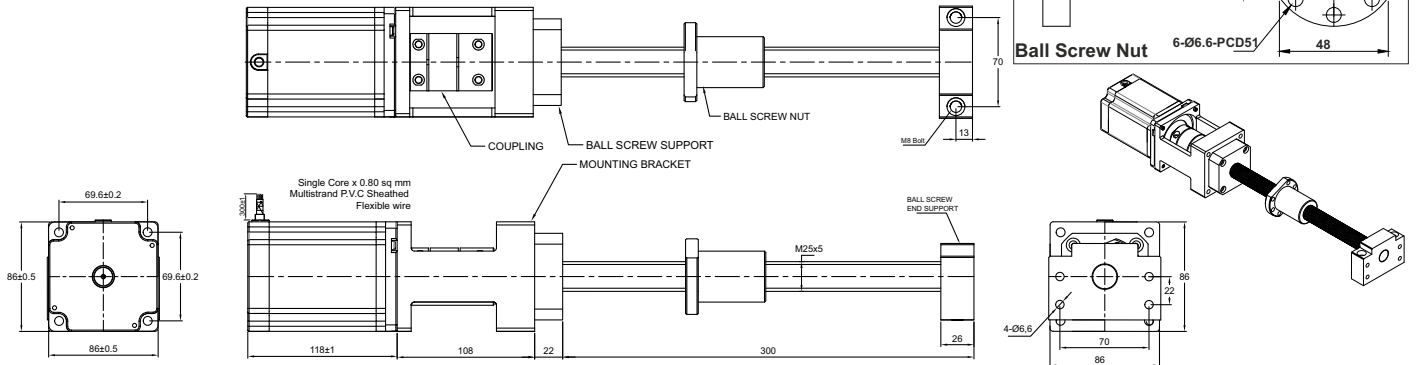
# STEPPER MOTOR

## BH86 SH 118 - 6004LA-BS(M25X05)

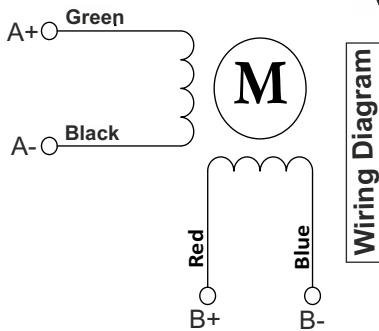
### HIGH TORQUE HYBRID



Standard Lead Length: 300mm  
Available Lead Length: 600,1000mm

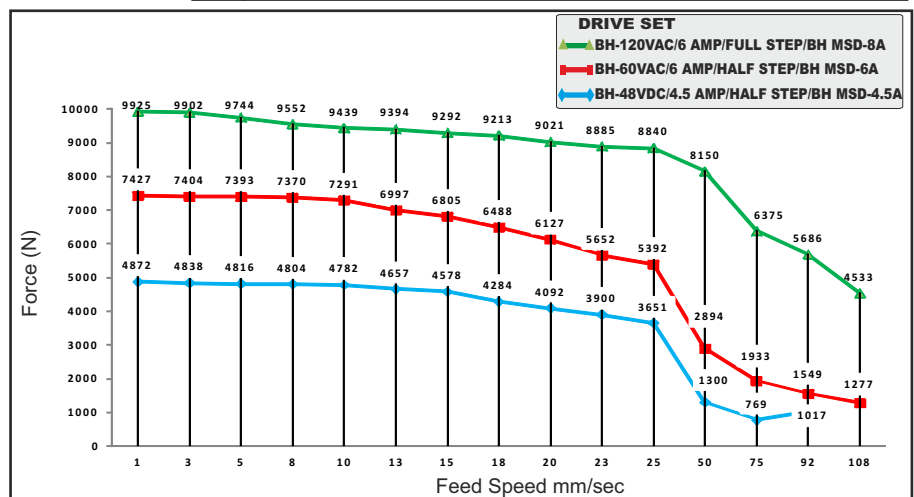


## TECHNICAL DATA



SPECIFICATION BH 86SH 118 - 6004 LA-BS(M25X05)			
	MODEL		Bipolar
1	Rated Voltage	V	2.52
2	Current / Phase	A	6
3	Resistance / Phase	$\pm 10\% \Omega$	0.42
4	Inductance / Phase	$\pm 20\% \text{mH}$	4.25
5	Holding Torque	Nm	8.70
6	Rotor Inertia	G-CM <sup>2</sup>	2700
7	Weight	KG.	4
8	No of Lead	N <sup>0</sup>	4
9	Operating Voltage	VDC	48 - 170
10	Operating Voltage	VAC	34 - 120
11	Linear Step size - 25 micron per full step		

CHARACTERISTICS
Step Angle - 1.8°
Step Angle Accuracy - $\pm 3$ Arc Minute
Insulation Class - H
Ambient Temperature -
Temperature Rise - 80°C Max. -20°C + 50°C (Rated Current Phase 2 ON)
Insulation Resistance 100 M Ohms Min.500 VDC
Dielectric Strength 820 VAC For One Minute
Shaft Radial Play 0.02 Max. Play ( 450 G Load )
Shaft Axial Play 0.08 Max. Play ( 450 G Load )
Max.Radial Force 220 N ( 20MM From Front Flange )



STEPPER MOTOR - BH86SH118- 6004 LA-BS(M25X05)



# Bholanath Precision Engineering Pvt.Ltd.

11,Kembros Ind.Estate , Sonapur Lane , Bhandup (W),Mumbai - 400078.  
Telefax/Phone : 25662856/25664338/67993260 Email : support@bholanath.in  
Mobile No : 9920903825/9821671733/9930514603/9819515543/9323166582.